



KTC
HIGH QUALITY TOOLS®



สินค้าอุตสาหกรรมคุณภาพสูงจากประเทศญี่ปุ่น
HAND TOOL POWER TOOL
SPECIAL TOOL ที่เพียบพร้อมตอบสนอง
ทุกความต้องการ



JJP SUPPLY CO.,LTD

Quality Tools & Hardware

106/79 ถ.เจริญสนิทวงศ์ ซอย 18 แขวงบ้านช่างหล่อ เขตบางกอกน้อย กรุงเทพมหานคร 10700

Tel : 02-866-5975-6, 02-865-8606-7 Fax : 02-866-6738 E-mail : sale@jjpsupply.com www.jjpsupply.com

KTC 1/4", 3/8" & 1/2" MECHANIC TOOL SET - Japan

SK5600XA (Tools & Case)

Stock No.	Item - Size	Weight (kg)
002-001-5600	SK5600XA Tools & Case (390 pcs)	161



Contents:

- 1/4" Dr 6pt Socket B2-05, 055, 06, 07, 08, 10, 11, 12, 13, 14, 3/16, 7/32, 1/4, 9/32, 5/16, 11/32, 3/8, 7/16, 1/2, 9/16
- 1/4" Dr 6pt Deep Socket B2L-06, 07, 08, 09, 10, 11, 12, 13, 14.
- 1/4" Dr Hex Bit Socket BT2-T10, T15, T20, T25, T27.
- 1/4" Dr Ext Bar BE2-050, 100. 1/4" Dr Wobble Ext Bar BE2-030JW, 050JW, 075JW.
- 1/4" Dr Uni Joint BJ2. 1/4" Dr 5" Ratchet Handle BR2E.
- 1/4" Dr 6" Spinner Handle BS2E.
- 3/8" Dr 6pt Socket B3-055, 06, 07, 08, 09, 10, 11, 12, 13, 14, 15, 16, 17, 18, 19, 20, 21, 22, 23, 24, B3-1/4, 9/32, 5/16, 3/8, 7/16.
- 3/8" Dr 12pt Socket B3-08W, 10W, 12W, 13W, 14W, 15W, 16W, 17W, 18W, 19W, 21W, 22W, 23W, 24W, B3-1/2W, 17/32W, 19/32W, 5/8W, 21/32W, 3/4W, 13/16W, 7/8W.
- 3/8" Dr 6pt Deep Socket B3L-055, 07, 08, 09, 10, 12, 13, 14, 17, 19.
- 3/8" Dr Spark Plug Wr B3A-13P, 16P, 18P, 20.8P.
- 3/8" Dr Hex Bit Socket BT3-05, 06, 08, 10, BT3-6M, 2P.
- 3/8" Dr E-Torx Wr B3-E10, E12
- 3/8" Dr Short T-Torx Socket BT3-T30S, T40S, T45S, T50S.
- 3/8" Dr Long T-Torx Socket BT3-T25L, T30L, T40L, T45L, T50L.
- 3/8" Dr Socket Holder EHB305, 310.
- 3/8" Dr 7" Ratchet Handle BR3E.
- 3/8" Dr 7" Flex Ratchet Handle BR3F.
- 3/8" Dr 3" Compact Round Head Ratchet Handle BR3MSC.
- 3/8" Dr Ext Bar BE3-030, 050, 075, 150, 200, 270.
- 3/8" Dr Wobble Ext Bar BE3-030JW, 050JW, 075JW, 150JW, 270JW.
- 3/8" Dr Flex Ext Bar BES21-200.
- 3/8" Dr Uni Joint BJ3.
- 3/8" 12" Spinner Handle BS3E.
- 3/8" Dr Grip Handle BRG3.
- 1/2" Dr 6pt Socket B4-08, 09, 10, 11, 12, 13, 14, 15, 16, 17, 18, 19, 20, 21, 22, 23, 24, 26, 27, 29, 30, 32.
- 1/2" Dr 12pt Socket B4-08W, 10W, 12W, 13W, 14W, 15W, 16W, 17W, 18W, 19W, 21W, 22W, 23W, 24W, 25W, 26W, 27W, 28W, 29W, 30W, 31W, 32W.
- 1/2" Dr 6pt Deep Socket B4L-08, 10, 12, 13, 14, 17, 19, 21, 22, 24.
- 1/2" Dr Hex Bit Socket BT4-05, 06, 08, 10, 12, 14
- 1/2" Dr Socket Holder EHB405, 410.
- 1/2" Dr 10" Ratchet Handle BR4E. 1/2" Dr 16" Spinner Handle BS4E.
- 1/2" Dr Ext Bar BE4-075, 150, 270.
- 1/2" Dr Stud Remover Set BSR354.
- 1/2" Dr Uni Joint BJ4.
- Socket Adaptor BA23, BA32, BA34, BA43.
- 45° x 6" Long Offset Wr M5-0607, 0809, 0810, 1012, 1113, 1214, 1417, 1719, 1921, 2224, 2427.
- 45° x 6" Short Offset Wr M5S-0708, 0810, 1012, 1113, 1214, 1417.
- 15" Long Box End Wr Set M1513. Flat Long Box End Wr Set M1505.
- Flat Short Box End Wr Set M1004. Hex Offset Wr Set M274.
- Ratchet Box End Wr MR1-0810F, 1012F, 1214F, 1315F, 1417F.
- Short Ratchet Box End Wr MR1S-0810F, 1012F, 1113F, 1214F, 1315F, 1417F.
- 1/4" Insert Changeable Ratchet Screwdriver RM22.
- Combination Wrench MS2-055, 06, 07, 08, 09, 10, 11, 12, 13, 14, 15, 16, 17, 18, 19, 20, 21, 22, 23, 24, 25, 26, 27, MS2-1/4, 5/16, 3/8, 7/16, 1/2, 9/16, 5/8, 11/16, 3/4, 13/16, 7/8, 15/16, 1, 1-1/16.
- Open End Wrench S2-0607, 0708, 0809, 0810, 1012, 1113, 1214, 1417, 1719, 1921, 2123, 2224, 2326, 2427.
- 'Profil' Open End Wr S30-10, 12, 13, 14, 17, 19.
- 'Profil' Offset Wr M30-10, 12, 13, 14, 17, 19.
- Open End Wr Set S206. (S20-10x12, 12x10, 12x14, 14x12, 17x19, 19x17)
- Adj Wr VM-150, 200, 250, 300. Pipe Wr PWA-150, 250, 350.
- 1lb Ball Pein Hammer PH45-323. Plastic Hammer K9-6.
- T-Shape Wrench TH-8N, 10N, 12N.
- Slip Joint Plier PJ-150, 200, 250. 10" Waterpump Plier WPD1-250.
- Internal Snap Ring Plier SCP-171. Bent Internal Snap Ring Plier SCP-172L.
- External Snap Ring Plier SOP-171. Flat Tip External Snap Ring Plier SOP-173.
- 7" & 8" Linesman Plier SPD-175C, 200C. 6" Long Nose Plier PSL-150. 8" Bent Long Nose Plier 45° PSL-200BN.
- 8" Deep Bent Long Nose Plier 60° PSL-200BN1. 6" & 7" Diagonal Cutting Plier PN1-150, 175.
- All Purpose Shear AP-175. Impact Screwdriver Set SD6.
- Plastic Grip Screwdriver D1M2-5, 6, 8, D1P2-1, 2, 3. Plastic Grip Stubby Screwdriver D1MS-6, D1PS-2.
- Palm Screwdriver MDEA-75, 100, 150, PDEA-1, 2, 3. Palm Stubby Screwdriver MDEA-M, PDEA-P.
- Plastic Grip Mini Screwdriver SD3-M, P, Short Stubby Screwdriver SD4-P.
- Heavy Duty Screwdriver FD-250, FPD-250.
- Magnetic Flex Pickup VL2-HD. Rolling Wedge Bar LZ1-450.
- Flex T-Shape Spark Plug Wr PHF-16H. Ball Point Hex Key Wr Set HLD2509.
- 10" Curved Jaw Locking Plier 10CR, 6" Long Nose Locking Plier 6LN. Carburetor Screwdriver Set CDZ-165.
- Plastic Grip Long Screwdriver MDDZ-400, PDDZ-2. Thickness Gauge TGZ-1818.
- 8" Caliper GMN-20. Pin Punch Set PK8 (2, 3, 4, 4.5, 5, 6, 7, 8).
- Hub Cap Plier HP-305S.
- Socket for Aluminium Wheel B35A-17H, 19H, 21H.
- Brake Shoe Adjustable Tool ABX301, 304.
- Screwdriver for Brake Shoe Drum AB-5
- Flare Nut Wr MZ10-10x12, MZ1-10.
- Disc Brake Spreader AB-10.
- Clip Clamp Tool AP203-6A, 10A.
- Scraper KZ1-22, 30, KZSS-25.

5-drawer Tool Chest SKX5205. 8-drawer Tool Cabinet SKX5708.

Metal case is made of heavy gauge steel with enamel paint finish. Tools are made of chrome vanadium steel, chrome-plated, JIS standard.

SK200A (Tools & Case)



KTC 3/8" Dr and 1/2" Dr (77pcs) MECHANIC TOOL SFT - .lanan

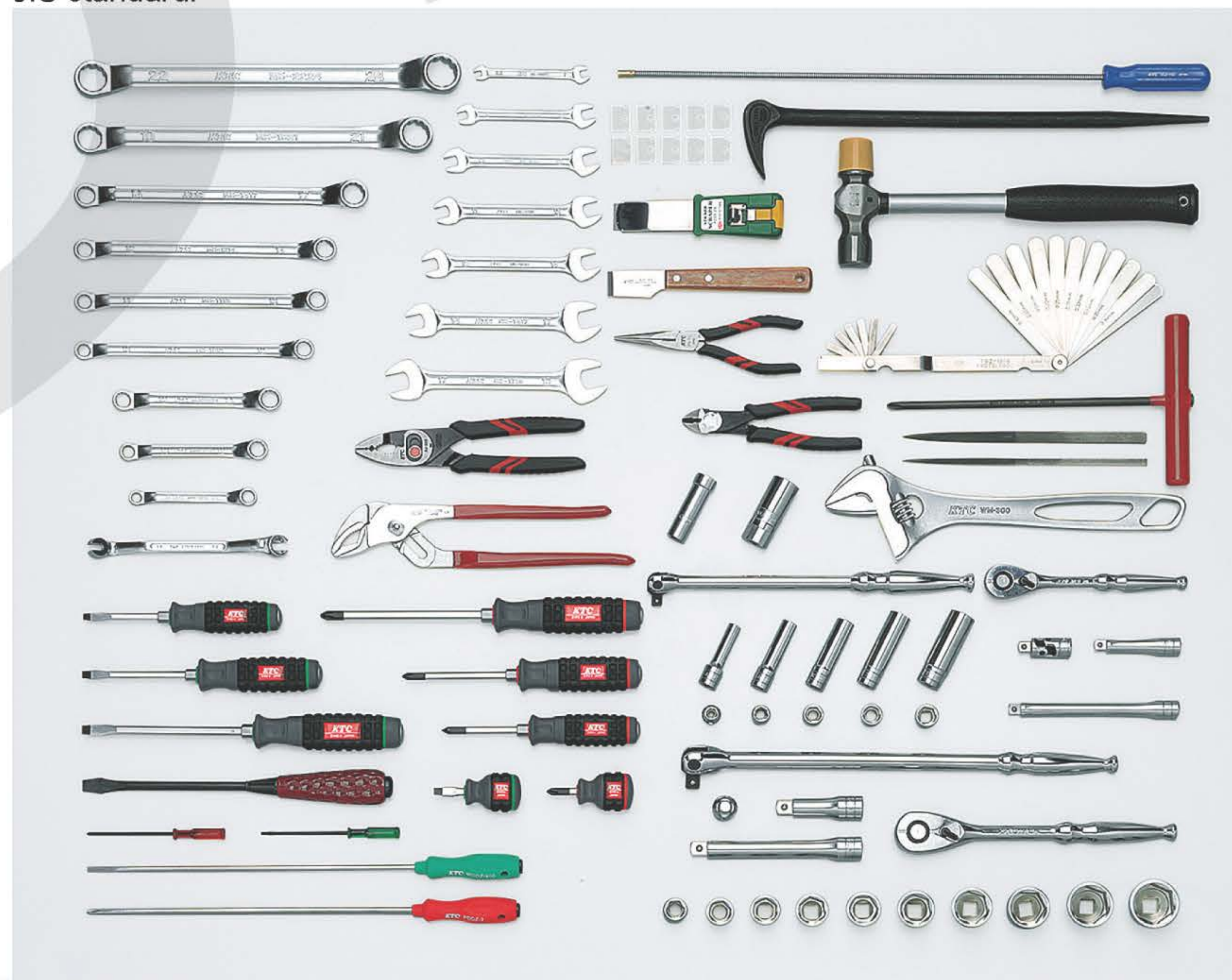
Stock No.	Item - Size	Weight (kg)
002-002-2001	SK200AT Tools Only	15
002-002-2002	SK200-M Case Only	50

Contents:

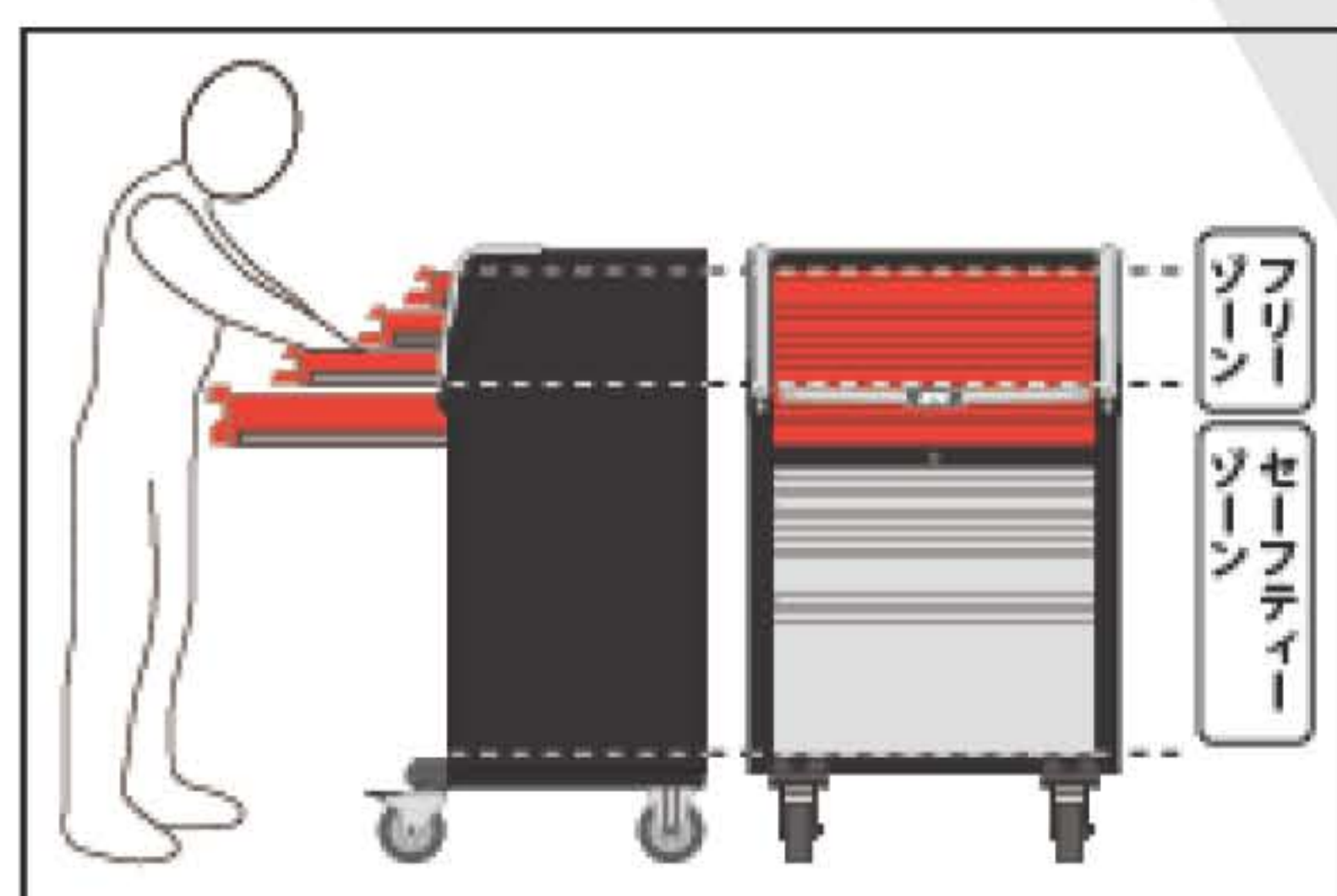
- 3/8" Dr 6pt Socket B3-08, 10, 12, 13, 14.
- 3/8" Dr 6pt Deep Socket B3L-08, 10, 12, 14, 17.
- 3/8" Dr Spark Plug Wr B3A-16SP, 20.8P.
- 3/8" Dr 7" Ratchet Handle BR3E.
- 3/8" 12" Dr Spinner Handle BS3E.
- 3/8" Dr Uni Joint BJ3.
- 3/8" Dr Ext Bar BE3-075, 150.
- 1/2" Dr 6pt Socket B4-14, 17, 19, 21, 22, 24, 26, 27, 30, 32.
- 1/2" Dr 10" Ratchet Handle BR4E.
- 1/2" Dr 16" Spinner Handle BS4E.
- 1/2" Dr Ext Bar BE4-075, 150.
- 1/2"Fx3/8"M Adaptor BA43.
- 45°x6° Long Offset Wr M5-1012, 1113, 1214, 1417, 1921, 2224.
- 45°x6° Short Offset Wr M5S-0810, 1012, 1214.
- Open End Wr S2-05507, 0810, 1012, 1113, 1214, 1417, 1719.
- Plastic Grip Screwdriver D1M2-5, 6, 8, D1P2-1, 2, 3.
- Heavy Duty Screwdriver FD-250.
- Plastic Grip Stubby Screwdriver D1MS-6, D1PS-2.
- Baby Screwdriver BAD-75, 0.
- Plastic Grip Long Screwdriver MDDZ-400, PDDZ-2.
- Adjustable Wr WM-300.
- Combination Plier PJ-200.
- Needle Nose Plier PSL-150.
- Diagonal Cutting Plier PN1-150.
- Heavy Duty Waterpump Plier WPD1-250.
- 1lb Combination Hammer UD7-10.
- Stainless Scraper KZ1-22.
- Sticker Scraper KZSS-25.
- Sticker Scraper Spare Blade KZS-2510(10pcs).
- File Half-Round & Round FIS-100HM, 100M.
- Rolling Wedge Bar LZ1-450.
- Flare Nut Wr MZ1-10x12.
- Thickness Gauge Set TGZ-1818(18pcs).
- Screwdriver For Brake Drum Screw AB-5.
- Magnet Hand VL2-HD.

Cabinet Dimensions: L 575 x W 485 x H 880mm.

Metal case is made of heavy gauge steel with enamel paint finish, comes with plastic compartment for small tools. Tools are made of chrome vanadium steel, chrome-plated, JIS standard.



SK8038EX (Tools & Case)



KTC 1/4", 3/8" & 1/2" MECHANIC TOOL SET - Japan

Stock No.	Item - Size	Weight (kg)
002-003-8038	SK8038EX Tools & Case (220 pcs)	145

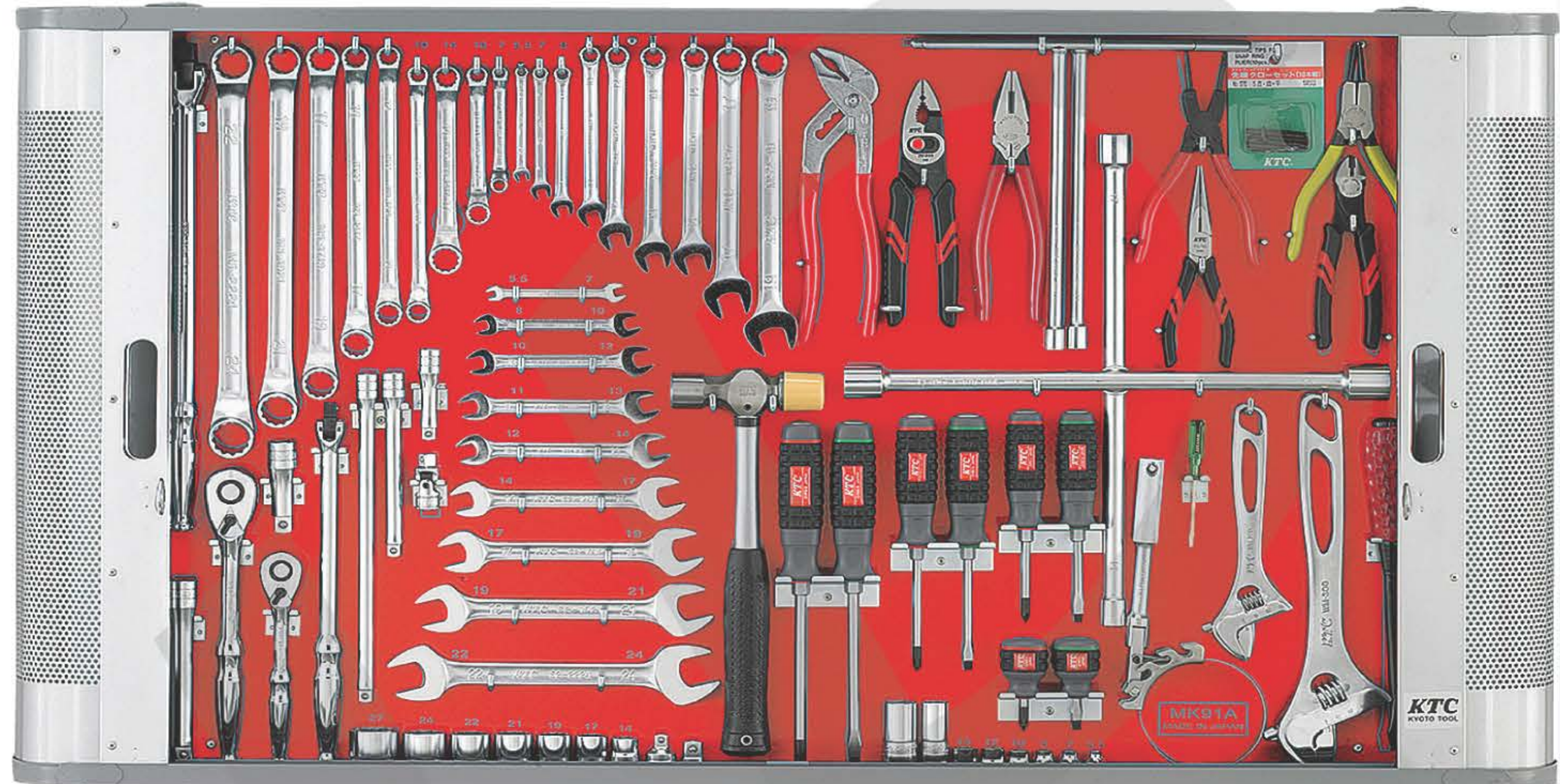
Contents:

- 1/4" Dr 6pt Socket B2-05, 055, 06, 07, 08, 10, 11, 12, 13, 14.
- 1/4" Dr 6pt Deep Socket B2L-05, 055, 06, 07, 08, 10, 11, 12, 13, 14.
- 1/4" Dr Ext Bar BE2-050, 100.
- 1/4" Dr Wobble Ext Bar BE2-030JW.
- 1/4" Dr Uni Joint BJ2.
- 1/4" Dr 5" Ratchet Handle BR2E.
- 1/4" Dr 3" Ratchet Handle BR2S.
- 1/4" Dr 6" Spinner Handle BS2E.
- 3/8" Dr 6pt Socket B3-08, 09, 10, 11, 12, 13, 14, 15, 16, 17, 18, 19, 20, 21, 22.
- 3/8" Dr 6pt Deep Socket B3L-08, 10, 12, 13, 14, 15, 16, 17, 18, 19.
- 3/8" Dr Semi-Deep Socket B3M-08, 10, 12, 13, 14, 15, 16, 17.
- 3/8" Dr Hex Bit Socket BT3-04, 05, 06, 07, 08, 10, 12.
- 3/8" Dr Long Hex Bit Socket BT3-04L, 05L, 06L, 07L, 08L, 10L, 12L.
- 3/8" Dr Flat Bit Socket BT3-6M.
- 3/8" Dr Cross Bit Socket BT3-2P.
- 3/8" Dr T-Type Torx Bit Socket BT3-T20, T25, T27, T30, T40.
- 3/8" Dr Ext Bar BE3-050, 075, 150, 270.
- 3/8" Dr Wobble Ext Bar BE3-050JW, 075JW, 150JW. 3/8" Dr Quick Spinner BE3-Q.
- 3/8" Dr Uni Joint BJ3.
- 3/8" Dr 7" Ratchet Handle BR3E.
- 3/8" Dr 11" Flex Ratchet Handle BR3FL.
- 3/8" Dr 11" Ratchet Handle BR3L.
- 3/8" Dr 3" Compact Ratchet Handle BRC3S.
- 3/8" 12" Spinner Handle BS3E.
- 3/8" T-Shape Handle TH20.
- 3/8" Dr Digital Ratchet Torque Wrench GWE3-060, 085.
- 1/2" Dr 6pt Socket B4-10, 11, 12, 13, 14, 15, 16, 17, 18, 19, 20, 21.
- 1/2" Dr 12pt Socket B4-22W, 23W, 24W, 25W, 26W, 27W, 28W, 29W, 30W, 31W, 32W.
- 1/2" Dr 6pt Deep Socket B4L-10, 12, 13, 14, 15, 16, 17, 19, 21.
- 1/2" Dr 12pt Deep Socket B4L-22W, 23W, 24W.
- 1/2" Dr Hex Bit Socket BT4-T45, T50, T55, T60, T70.
- 1/2" Dr Ext Bar BE4-075, 150, 270.
- 1/2" Dr Wobble Ext Bar BE4-075JW, 150JW.
- 1/2" Dr Uni Joint BJ4.
- 1/2" Dr 10" Ratchet Handle BR4E.
- 1/2" Dr 15" Ratchet Handle BR4L.
- 1/2" Dr 16" Long Spinner Handle BS4E.
- 1/2" Dr Digital Ratchet Torque Wrench GWE4-135.
- Open End Wrench S2-05507, 0810, 1012, 1113, 1214, 1417, 1719.
- 45° x 6° Long Offset Box End Wr M5-0809, 0810, 1012, 1113, 1214, 1315, 1417, 1719, 2224.
- 45° x 6° Short Offset Wr M5S-0810, 1012, 1113, 1214, 1417.
- Flat Type Extra-Long Box End Wrench M160-10X12, 14X17, 22X24.
- Short Ratchet Box End Wr MR1S-0810F, 1012F, 1214F, 1417F.
- Extra-Long Ratchet Box End Wrench MR15L-12F, 14F, 17F, 19F.
- Combination Wr MS2-08, 10, 12, 13, 14, 17.
- Adj Wr WM-250, 300. T-Shape Wrench TH-8, 10, 12, 14.
- L-Shape Long Ball Point Hex Key Wr HLD2509 (1.5, 2, 2.5, 3, 4, 5, 6, 8, 10).
- Combination Plier PJ-200. Diagonal Cutting Plier PN1-150. Needle Nose Plier PSL-150.
- Soft Grip Screwdriver D1M2-5, 6, 8, D1P2-1, 2, 3.
- Soft Grip Stubby Screwdriver D1MS-6, D1PS-2.
- Soft Grip Long Screwdriver D1M2-630, D1P2-230.
- 1lb Ball Pein Hammer PH45-323. 1lb Plastic Hammer UD8-10.
- Magnetic Parts Tray YKPT-RM, SM.
- Paper Holder YKHD-RPM.
- Wrench Holder for T-Shape Wrench YKHD-5TM.
- Metal Case : L740 x W680 x H1230mm.

Metal case is made of heavy gauge steel with enamel paint finish for heavy industrial use.
Tools are made of chrome vanadium steel, chrome-plated, JIS standard.

KTC 3/8" and 1/2" Dr (79pcs) COMBINATION TOOL SET - Japan

MK91A



Stock No.	Item - Size	Weight (kg)
002-012-91	MK91A Tools and Case (79pcs)	31.5

Contents:

3/8" Dr Socket (6pt) B3-055, 07, 08, 10, 12.
 3/8" Dr Socket (12pt) B3-13W.
 3/8" Dr 7" Ratchet Handle BR3E.
 3/8" Dr 12" Spinner Handle BS3E.
 3/8" Dr Ext Bar BE3-075, 150, 270.
 3/8" Dr Uni Joint BJ3.
 3/8" Dr Spark Plug Wr B3A-16P, 20.8P
 1/2" Dr 12pt Socket B4-14W, 17W, 19W, 21W, 22W, 24W, 27W.
 1/2" Dr 10" Ratchet Handle BR4E.
 1/2" Dr 16" Spinner Handle BS4E.
 1/2" Dr Ext Bar BE4-075, 150, 1/2"Fx3/8"M, 3/8"Fx1/2"M Adaptor BA43, 34.
 45°x6° Long Offset Wr M5-1012, 1214, 1417, 1719, 1921, 2224.
 45°x6° Short Offset Box End Wr M5-0708, 1012, 1417.
 Open End Wr S2-05507, 0810, 1012, 1113, 1214, 1417, 1719, 1921, 2224.
 Combination Wr MS2-055, 07, 08, 10, 12, 13, 14, 17, 19.
 Plastic Grip Screwdriver D1M2-5, 6, 8, D1P2-1, 2, 3.
 Heavy Duty Screwdriver FD-250.
 Plastic Grip Stubby Screwdriver D1MS-6, D1PS-2, Baby Screwdriver BAD-50.
 Adjustable Wr WM-200, 300.
 Combination Plier PJ-200, Needle Nose Plier PSL-150, Diagonal Cutting Plier PN1-150.
 Waterpump Plier WPD1-250, Side Cutting Plier SPD-200C.
 1lb Combination Hammer UD7-10.
 Internal & External Snap Ring Plier SCP-171, SOP-171, Spare Tips For Snap Ring Plier SPC5.
 T-Shape Wr TH-10, 12.
 Oil Filter Cartridge Wr FF-8095.
 Cross Rim Wr XH-14-21.
 Metal Case Dimensions: L 1125 x W 145 x H 630mm.
 Wall-hanging type, for automotive use, lockable.

The wall-hanging case is made of heavy gauge steel, enamel paint finish, with sliding shutter. Tools are clearly outlined on the background, so missing parts are easily noticeable. It is lockable by padlock.

SK3666E



KTC MECHANIC TOOL SET - Japan

Stock No.	Item - Size	Weight
002-018-3666	SK3666E Tools and Case (66pcs)	21kg
002-018-4586	SK4586E Tools and Case (58pcs)	21kg
002-018-8301	EKR-301 Lift (Max Load : 40kg)	10kg
002-018-8501	EKR-501 Side table (Max Load : 2kg)	315g
002-018-8502	EKR-502L Side Pocket L (Max Load : 2kg)	900g

Contents (SK3666E):

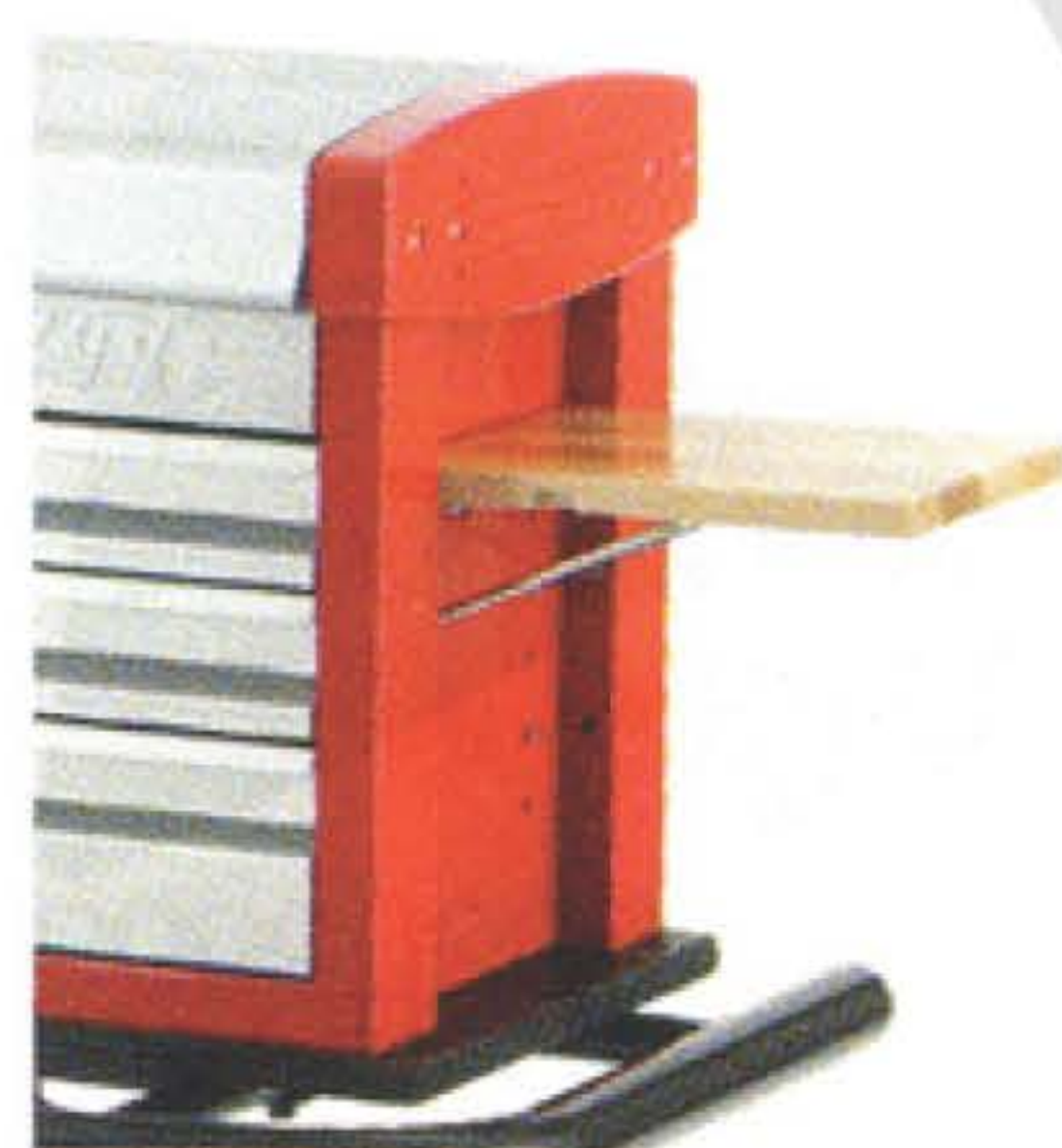
3/8" Dr 6pt Socket B3-08, 10, 12, 13, 14, 17, 19, 21, 22.
 3/8" Dr 6pt Deep Socket B3L-08, 10, 12, 14. 3/8" Dr 6pt Semi-Deep Socket B3M-08, 10, 12, 14.
 3/8" Dr 7" Ratchet Handle BR3E, 3/8" Dr 12" Spinner Handle BS3E.
 3/8" Dr Ext Bar BE3-050, 075, 150, 3/8" Dr Uni Joint BJ3.
 45° x 6° Long Offset Box End Wr M5-0810, 1012, 1113, 1214, 1417, 1719, 2224.
 Combination Wrench MS2-08, 10, 12, 13, 14, 17.
 Soft Grip Screwdriver D1M2-5, 6, 8, D1P2-1, 2, 3.
 Soft Grip Stubby Screwdriver D1MS-6, D1PS-2.
 Insert Changeable Flat Ratchet Screwdriver Set TMDB8 (3pcs bit (+)#2x22, #2x30, #3x25mm, 3pcs Hex bit 4, 5, 6mm).
 Combination Plier PJ-200.
 Needle Nose Plier PSL-150.
 Diagonal Cutting Plier PN1-150.
 1lb Combination Hammer UD7-10.
 3/8" Dr Quick Spinner BE3-Q.
 Magnetic Parts Tray YKPT-RM.
 L-Shape Long Ball Point Hex Key Wr HL259SP (1.5, 2, 2.5, 3, 4, 5, 6, 8, 10).
 Metal Case EKR-103 Dimensions: L 510 x W 275 x H 325mm. Packing : 1 Set/Box



EKR-301
Lift

Contents (SK4586E):

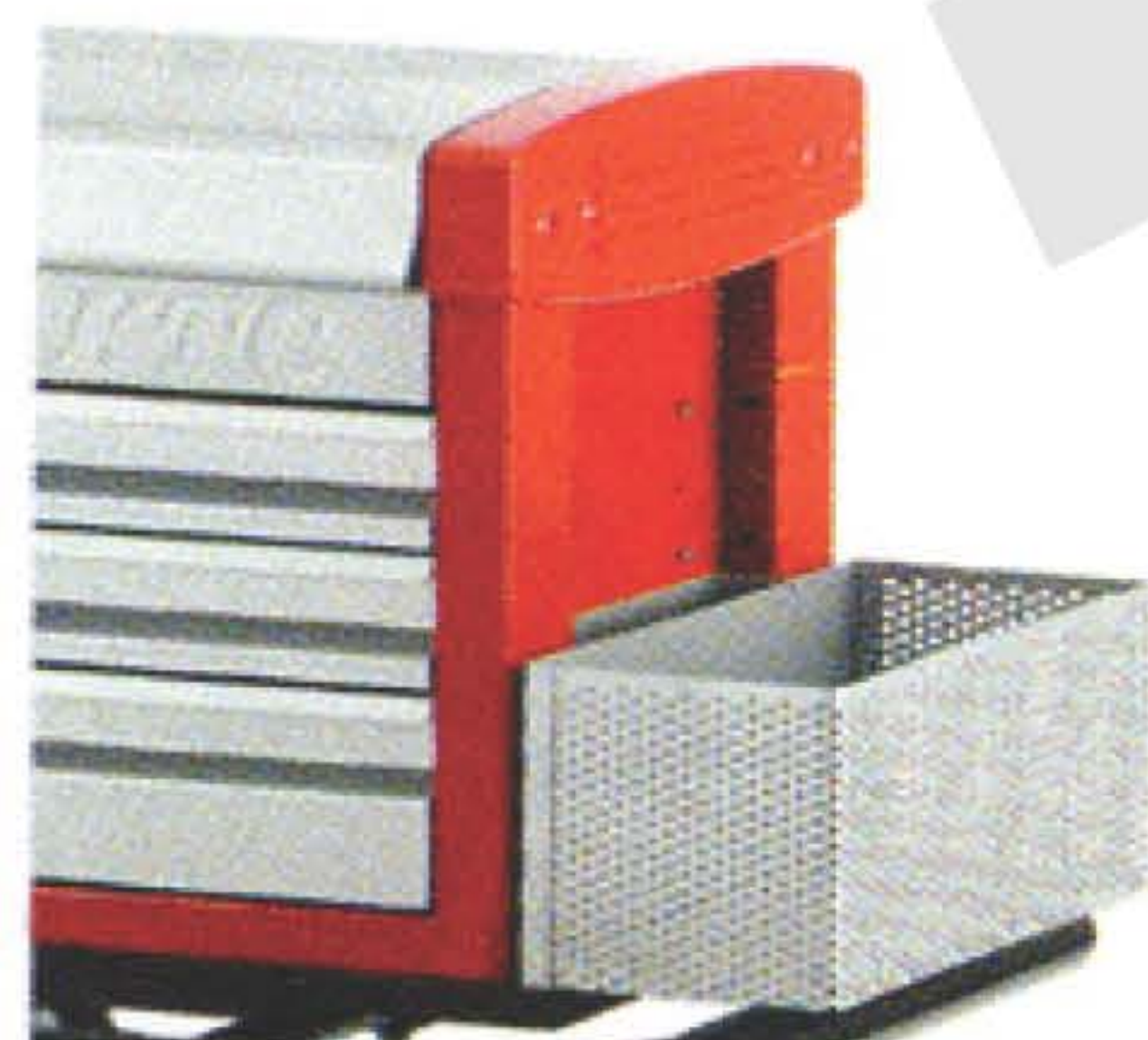
1/2" Dr 6pt Socket B4-10, 12, 13, 14, 17, 19, 21, 22, 24, 27.
 1/2" Dr 10" Ratchet Handle BR4E.
 1/2" Dr 16" Spinner Handle BS4E.
 1/2" Dr Ext Bar BE4-075, 150, 1/2" Dr Uni Joint BJ4.
 45° x 6° Long Offset Box End Wr M5-0810, 1012, 1113, 1214, 1417, 1719, 2224.
 Soft Grip Screwdriver D1M2-5, 6, 8, D1P2-1, 2, 3.
 Soft Grip Stubby Screwdriver D1MS-6, D1PS-2.
 Insert Changeable Flat Ratchet Screwdriver Set TMDB8 (3pcs bit (+)#2x22, #2x30, #3x25mm, 3pcs Hex bit 4, 5, 6mm).
 Combination Wrench MS2-08, 10, 12, 13, 14, 17.
 Combination Plier PJ-200.
 Needle Nose Plier PSL-150.
 Diagonal Cutting Plier PN1-150.
 1lb Combination Hammer UD7-10.
 1/2" Dr Quick Spinner BE4-Q.
 Magnetic Parts Tray YKPT-RM.
 L-Shape Long Ball Point Hex Key Wr HL259SP (1.5, 2, 2.5, 3, 4, 5, 6, 8, 10).
 Metal Case EKR-103 Dimensions: L 510 x W 275 x H 325mm. Packing : 1 Set/Box



EKR-501
Side Table

Note: For all Tools & Case set will not include Lift(EKR-301), Side Table(EKR-501) and Side Pocket(EKR-502L).

Case and case accessories are made of heavy gauge steel, enamel paint finish. Tools are made of chrome vanadium steel, chrome-plated, JIS standard.



EKR-502
Side Pocket (L)

SK3568SS



KTC 3/8" Dr COMBINATION TOOL SET - Japan

Stock No.	Item - Size	Weight (kg)
002-013-3578	SK3568SS Tools and Case (56pcs)	20.0

Contents:

3/8" Dr Socket (6pt) B3-08, 10, 12, 13, 14, 17, 19mm.
 3/8" Dr Deep Socket (6pt) B3L-10, 12, 14mm.
 3/8" Dr Ext Bar BE3-075, 150.
 3/8" Dr Quick Spinner BE3-Q.
 3/8" Dr 7" Ratchet Handle BR3E.
 3/8" Dr Uni Joint BJ3.
 3/8" Dr 12" Spinner Handle BS3E.
 Plastic Grip Screwdriver D1M2-5, 6, D1P2-1, 2, 3.
 Plastic Grip Stubby Screwdriver D1MS-6, D1PS-2.
 L-Shape Long Ball Point Hex Key Wr HL259SP (1.5, 2, 2.5, 3, 4, 5, 6, 8, 10).
 45°x6° Long Offset Wr M5-1012, 1113, 1214, 1417, 1921, 2224.
 Open End Wr S2-0810, 1012, 1113, 1214, 1417, 1719.
 Combination Plier PJ-200.
 Diagonal Cutting Plier PN1-150.
 Needle Nose Plier PSL-150.
 Insert Changeable Flat Ratchet Screwdriver Set TMDB8 (3pcs bit (+)#2x22, #2x30, #3x25mm, 3pcs Hex bit 4, 5, 6mm).
 1lb Combination Hammer UD7-10.
 Adjustable Wr WM-250.

Metal Case Dimensions: L 600 x W 145 x H 600mm. Weight: Case 14kg; Tools 6kg.
 Wall-hanging type.

Case is made of heavy gauge steel, enamel paint finish. Tools are made of chrome vanadium steel, chrome-plated, JIS standard.

EKR-103



KTC 3 DRAWER CHEST - Japan

EKR-103	Width	Depth	Height	Weight	Ship Weight
Overall	510mm	275mm	325mm	13 kg	-
Top Tray	445mm	225mm	75mm		
2 Drawers	420mm	215mm	45mm		
1 Drawer	420mm	215mm	75mm		
Stock No :	001-036-6003				
Price (pc):	\$ 424.00				

- Ball bearing slide drawers, protective drawer liner included.

EK-1



KTC METAL TOOL BOX - Japan

EK-1	Width	Depth	Height	Unit Weight	Ship Weight
Overall	430mm	225mm	225mm	6 kg	-
Stock No :	001-082-601				
Price (pc):	\$ 268.80				

- Made of heavy gauge steel with enamel paint finish for soft and smooth touch.
 - 4 cantilever trays

SUS-M



KTC STAINLESS STEEL TOOL BOX - Japan

SUS-M	Width	Depth	Height	Unit Weight	Ship Weight
Overall	470mm	210mm	215mm	5.0 kg	-
Stock No :	001-085-04				
Price (pc):	\$ 285.70				

- Made of stainless steel with polish finish.
 - 2 cantilever trays.

SK3536W



KTC 3/8" Dr COMBINATION TOOL SET - Japan

Stock No.	Item - Size	Weight (kg)
002-020-3536	SK3536W Tools and Case (53pcs)	14.5

Contents:

3/8" Dr Socket (6pt) B3-08, 10, 12, 13, 14, 17, 19mm.
 3/8" Dr Deep Socket (6pt) B3L-10, 12, 14mm.
 3/8" Dr 7" Ratchet Handle BR3E.
 3/8" Dr Quick Spinner BE3-Q.
 3/8" Dr Ext Bar BE3-075,150.
 45°x6° Long Offset Wrench M5-0810, 1012, 1214, 1417, 1719, 2224.
 Open End Wrench S2- 0810, 1012, 1113, 1214, 1417.
 Plastic Grip Screwdrivers D1M2-5, 6, D1P2-1, 2, 3.
 Plastic Grip Stubby Screwdrivers D1MS-6, D1PS-2.
 Insert Changeable Flat Ratchet Screwdriver Set TMDB8
 (3pcs bit (+)#2x22, #2x30, #3x25mm, 3pcs Hex bit 4, 5, 6mm).
 Adjustable Wrench WM-250.
 Combination Plier PJ-200.
 Needle Nose Plier PSL-150.
 Diagonal Cutting Plier PN1-150.
 1lb Combination Hammer UD7-10.
 L-Shape Long Ball Point Hex Key Wr HL259SP (1.5, 2, 2.5, 3, 4, 5, 6, 8, 10).

Metal Case Dimensions: L 430 x W 225 x H 225mm. Weight : 6.0kg.

Case is made of heavy gauge steel, enamel paint finish. Tools are made of chrome vanadium steel, chrome-plated, JIS standard.

SK4526W



KTC 1/2" Dr COMBINATION TOOL SET - Japan

Stock No.	Item - Size	Weight (kg)
002-020-4526	SK4526W Tools and Case (52pcs)	15.0

Contents:

1/2" Dr Socket (6pt) B4-10, 12, 13, 14, 17, 19, 21, 22, 24mm.
 1/2" Dr 10" Ratchet Handle BR4E.
 1/2" Dr Quick Spinner BE4-Q.
 1/2" Dr Ext Bar BE4-075,150.
 45°x6° Long Offset Wrench M5-0810, 1012, 1214, 1417, 1719, 2224.
 Open End Wrench S2- 0810, 1012, 1113, 1214, 1417.
 Plastic Grip Screwdrivers D1M2-5, 6, D1P2-1, 2, 3.
 Plastic Grip Stubby Screwdrivers D1MS-6, D1PS-2.
 Insert Changeable Flat Ratchet Screwdriver Set TMDB8
 (3pcs bit (+)#2x22, #2x30, #3x25mm, 3pcs Hex bit 4, 5, 6mm).
 Adjustable Wrench WM-250.
 Combination Plier PJ-200.
 Needle Nose Plier PSL-150.
 Diagonal Cutting Plier PN1-150.
 1lb Combination Hammer UD7-10.
 L-Shape Long Ball Point Hex Key Wr HL259SP (1.5, 2, 2.5, 3, 4, 5, 6, 8, 10).

Metal Case Dimensions: L 430 x W 225 x H 225mm. Weight : 6.0kg.

Case is made of heavy gauge steel, enamel paint finish. Tools are made of chrome vanadium steel, chrome-plated, JIS standard.

TB308



KTC 3/8" Dr SOCKET SET - Japan

TB308	Width	Depth	Height
Overall	265mm	145mm	38mm
Stock No :	003-003-308		

Contents (12 pcs)

6pt Skt: 7, 8, 10, 12, 13, 14, 17, 19mm.
Ratchet Handle.
Extension Bar 50, 100mm.
Universal Joint
5pcs Skt Holder
1.7kg; 1 Set/Box

Metal case is made of heavy gauge steel, enamel paint finish. Tools are made of chrome vanadium steel, chrome-plated. JIS standard, for manual drive

TB308BX



KTC 3/8" Dr SOCKET SET - Japan

TB308BX	Width	Depth	Height
Overall	265mm	145mm	38mm
Stock No :	003-003-3081		

Contents (12 pcs)

6pt Skt: 3/8", 7/16"
12pt Skt: 1/2", 9/16", 19/32", 5/8", 11/16", 3/4"
Ratchet Handle.
Extension Bar 50, 100mm.
Universal Joint
5pcs Skt Holder
1.7kg; 1 Set/Box

Metal case is made of heavy gauge steel, enamel paint finish. Tools are made of chrome vanadium steel, chrome-plated. JIS standard, for manual drive

TB210

Plastic Tray



TB214

Metal Case



KTC 1/4" Dr SOCKET SET - Japan

TB210	Width	Depth	Height
Overall	264mm	82mm	30mm
Stock No :	003-002-2100		

TB214	Width	Depth	Height
Overall	264mm	144mm	30mm
Stock No :	003-002-2140		

Contents (13 pcs)

Plastic Tray (264 x 82 x 30mm):
6pt Skt: 5, 5.5, 6, 7, 8, 10, 11, 12, 13, 14mm
Ratchet Handle
Ext Bar 50, 100mm
0.4kg; 1 Set/Box

Contents (17 pcs)

Plastic Tray (264 x 82 x 30mm):
6pt Skt: 3.2, 4, 4.5, 5, 5.5, 6, 7, 8, 9, 10,
11, 12, 13, 14mm
Ratchet Handle
Ext Bar 50, 100mm
1.3kg; 1 Set/Box

Metal case is made of heavy gauge steel, enamel paint finish. Tools are made of chrome vanadium steel, chrome-plated. JIS standard, for manual drive

TRX112



KTC 1/4" & 3/8" Dr TORX SOCKET SET - Japan

TRX112	Width	Depth	Height
Overall	265m	120mm	38mm
Stock No :	003-037-112		

Contents (15pcs)

1/4" T-Skt: T10, T15, T20, T25, T27.
3/8" T-Skt: T30, T40, T45, T50.
3/8" E-Skt: E8, E10, E12.
Ratchet Handle.
Ext Bar 75mm.
Adaptor 3/8"F x 1/4"M.
1.5kg; 1 Set/Box

Metal case is made of heavy gauge steel, enamel paint finish. Tools are made of chrome vanadium steel, chrome-plated. JIS standard, for manual drive

KTC 3/8" Dr SOCKET (6pt & 12pt) - Japan



Chrome vanadium steel, chrome plated, polished, JIS standard, for manual drive.

Stock No.	Size (6pt)	Length (mm)	Box
004-023-055	5.5	22	5
004-023-06	6	22	5
004-023-07	7	22	5
004-023-08	8	22	5
004-023-09	9	22	5
004-023-10	10	22	5
004-023-11	11	23	5
004-023-12	12	24	5
004-023-13	13	24	5
004-023-14	14	25	5
004-023-15	15	26	5
004-023-16	16	26	5
004-023-17	17	27	5
004-023-18	18	27	5
004-023-19	19	27	5
004-023-20	20	28	5
004-023-21	21	28	5
004-023-22	22	28	5
004-023-23	23	29	5
004-023-24	24	29	5
	(12 pt)		
004-024-055	5.5	22	5
004-024-06	6	22	5
004-024-07	7	22	5
004-024-08	8	22	5
004-024-09	9	22	5
004-024-10	10	22	5
004-024-11	11	23	5
004-024-12	12	24	5
004-024-13	13	24	5
004-024-14	14	25	5
004-024-15	15	26	5
004-024-16	16	26	5
004-024-17	17	27	5
004-024-18	18	27	5
004-024-19	19	27	5
004-024-20	20	28	5
004-024-21	21	28	5
004-024-22	22	28	5
004-024-23	23	29	5
004-024-24	24	29	5
004-024-25	25	34	10
004-024-26	26	34	10

KTC 1/2" Dr SOCKET (6pt & 12pt) - Japan



Chrome vanadium steel, chrome plated, polished, JIS standard, for manual drive.

Stock No. [6pt][12pt]	Size (mm)	Length (mm)	Box
004-[037][-]-06	6	36	10
004-[037][038]-08	8	28.5	5
004-[037][038]-09	9	28.5	5
004-[037][038]-10	10	28.5	5
004-[037][038]-11	11	29	5
004-[037][038]-12	12	30.5	5
004-[037][038]-13	13	30.5	5
004-[037][038]-14	14	31.5	5
004-[037][038]-15	15	31.5	5
004-[037][038]-16	16	33	5
004-[037][038]-17	17	34	5
004-[037][038]-18	18	34	5
004-[037][038]-19	19	34.5	5
004-[037][038]-20	20	35	5
004-[037][038]-21	21	35.5	5
004-[037][038]-22	22	35.5	5
004-[037][038]-23	23	36	5
004-[037][038]-24	24	36	5
004-[037][038]-25	25	37	5
004-[037][038]-26	26	38	5
004-[037][038]-27	27	39	5
004-[037][038]-28	28	40	5
004-[037][038]-29	29	41	5
004-[037][038]-30	30	42	5
004-[037][038]-31	31	43	5
004-[037][038]-32	32	43	5
004-[037][038]-33	33	44	5
004-[037][038]-34	34	44	5
004-[037][038]-35	35	44	5
004-[037][038]-36	36	44	5
	(inch)		
004-[039][040]-024	3/8"	28.5	5
004-[039][040]-028	7/16"	29	5
004-[039][040]-032	1/2"	30.5	5
004-[039][040]-034	17/32"	31.5	5
004-[039][040]-036	9/16"	31.5	5
004-[039][040]-038	19/32"	31.5	5
004-[039][040]-040	5/8"	33	5
004-[039][040]-042	21/32"	34	5
004-[039][040]-044	11/16"	34	5
004-[039][040]-048	3/4"	34.5	5
004-[039][040]-050	25/32"	35	5
004-[039][040]-052	13/16"	35.5	5
004-[039][040]-056	7/8"	35.5	5
004-[039][040]-060	15/16"	36	5
004-[039][040]-062	31/32"	37	5
004-[039][040]-100	1"	38	5
004-[039][040]-104	1-1/16"	39	5
004-[039][040]-108	1-1/8"	41	5
004-[039][040]-112	1-3/16"	42	5
004-[039][040]-116	1-1/4"	43	5
004-[039][040]-120	1-5/16"	44	5
004-[039][040]-124	1-3/8"	44	5

KTC 1/4" Dr DEEP SOCKET (6pt & 12pt) - Japan



Chrome vanadium steel, chrome plated, polished, JIS standard, for manual drive.

Stock No.	Size (6pt)	Length (mm)	Box
004-081-032	3.2	50	5
004-081-04	4	50	5
004-081-045	4.5	50	5
004-081-05	5	50	5
004-081-055	5.5	50	5
004-081-06	6	50	5
004-081-07	7	50	5
004-081-08	8	50	5
004-081-09	9	50	5
004-081-10	10	50	5
004-081-11	11	50	5
004-081-12	12	50	5
004-081-13	13	50	5
004-081-14	14	50	5
	(12pt)		
004-082-055	5.5	50	5
004-082-06	6	50	5
004-082-07	7	50	5
004-082-08	8	50	5
004-082-09	9	50	5
004-082-10	10	50	5
004-082-11	11	50	5
004-082-12	12	50	5
004-082-13	13	50	5
004-082-14	14	50	5
	(6pt)		
004-083-008	1/8"	50	5
004-083-010	5/32"	50	5
004-083-012	3/16"	50	5
004-083-014	7/32"	50	5
004-083-016	1/4"	50	5
004-083-018	9/32"	50	5
004-083-020	5/16"	50	5
004-083-022	11/32"	50	5
004-083-024	3/8"	50	5
004-083-028	7/16"	50	5
004-083-032	1/2"	50	5
004-083-034	17/32"	50	5
004-083-036	9/16"	50	5
	(12pt)		
004-084-014	7/32"	50	5
004-084-016	1/4"	50	5
004-084-018	9/32"	50	5
004-084-020	5/16"	50	5
004-084-022	11/32"	50	5
004-084-024	3/8"	50	5
004-084-028	7/16"	50	5
004-084-032	1/2"	50	5
004-084-034	17/32"	50	5
004-084-036	9/16"	50	5

KTC 3/8" Dr DEEP SOCKET (6pt & 12pt) - Japan



Chrome vanadium steel, chrome plated, polished, JIS standard, for manual drive.

Stock No. [6pt][12pt]	Size (mm)	Length (mm)	Box
004-[103][104]-055	5.5	60	5
004-[103][104]-06	6	60	5
004-[103][104]-07	7	60	5
004-[103][104]-08	8	60	5
004-[103][104]-09	9	60	5
004-[103][104]-10	10	65	5
004-[103][104]-11	11	65	5
004-[103][104]-12	12	65	5
004-[103][104]-13	13	70	5
004-[103][104]-14	14	70	5
004-[103][104]-15	15	70	5
004-[103][104]-16	16	70	5
004-[103][104]-17	17	70	5
004-[103][104]-18	18	70	5
004-[103][104]-19	19	70	5
004-[103][104]-20	20	70	5
004-[103][104]-21	21	70	5
004-[103][104]-22	22	70	5
004-[103][104]-23	23	70	5
004-[103][104]-24	24	70	5
	inch		
004-[105][106]-016	1/4"	60	5
004-[105][106]-018	9/32"	60	5
004-[105][106]-020	5/16"	60	5
004-[105][106]-022	11/32"	60	5
004-[105][106]-024	3/8"	65	5
004-[105][106]-028	7/16"	65	5
004-[105][106]-032	1/2"	70	5
004-[105][106]-034	17/32"	70	5
004-[105][106]-036	9/16"	70	5
004-[105][106]-038	19/32"	70	5
004-[105][106]-040	5/8"	70	5
004-[105][106]-042	21/32"	70	5
004-[105][106]-044	11/16"	70	5
004-[105][106]-048	3/4"	70	5
004-[105][106]-050	25/32"	70	5
004-[105][106]-052	13/16"	70	5
004-[105][106]-056	7/8"	70	5



Chrome vanadium steel, chrome plated, polished, JIS standard, for manual drive.

KTC 3/8" Dr LONG DEEP SOCKET (SET) - Japan

Stock No.	Description
004-107-3002	Item B3TLL2 - 2pcs
1 set / vinyl pouch	10 , 12mm (Length : 130mm)

KTC 1/2" Dr DEEP SOCKET (6pt & 12pt) - Japan



Chrome vanadium steel, chrome plated, polished, JIS standard, for manual drive.

Stock No. [6pt][12pt]	Size (mm)	Length (mm)	Box
004-[117][118]-08	8	90	5
004-[117][118]-09	9	90	5
004-[117][118]-10	10	90	5
004-[117][118]-11	11	90	5
004-[117][118]-12	12	90	5
004-[117][118]-13	13	90	5
004-[117][118]-14	14	90	5
004-[117][118]-15	15	90	5
004-[117][118]-16	16	90	5
004-[117][118]-17	17	100	5
004-[117][118]-18	18	100	5
004-[117][118]-19	19	100	5
004-[117][118]-20	20	100	5
004-[117][118]-21	21	100	5
004-[117][118]-22	22	100	5
004-[117][118]-23	23	100	5
004-[117][118]-24	24	100	5
004-[117][118]-25	25	100	5
004-[117][118]-26	26	100	5
004-[117][118]-27	27	100	5
004-[117][118]-28	28	100	5
004-[117][118]-29	29	100	5
004-[117][118]-30	30	100	5
004-[117][118]-31	31	100	5
004-[117][118]-32	32	100	5
004-[117][118]-33	33	100	5
004-[117][118]-34	34	100	5
004-[117][118]-35	35	100	5
004-[117][118]-36	36	100	5
	(inch)		
004-[119][120]-024	3/8"	90	5
004-[119][120]-028	7/16"	90	5
004-[119][120]-032	1/2"	90	5
004-[119][120]-034	17/32"	90	5
004-[119][120]-036	9/16"	90	5
004-[119][120]-038	19/32"	90	5
004-[119][120]-040	5/8"	90	5
004-[119][120]-042	21/32"	100	5
004-[119][120]-044	11/16"	100	5
004-[119][120]-048	3/4"	100	5
004-[119][120]-050	25/32"	100	5
004-[119][120]-052	13/16"	100	5
004-[119][120]-056	7/8"	100	5
004-[119][120]-060	15/16"	100	5
004-[119][120]-062	31/32"	100	5
004-[119][120]-100	1"	100	5
004-[119][120]-104	1-1/16"	100	5
004-[119][120]-108	1-1/8"	100	5
004-[119][120]-112	1-3/16"	100	5
004-[119][120]-116	1-1/4"	100	5
004-[119][120]-120	1-5/16"	100	5
004-[119][120]-124	1-3/8"	100	5



KTC SOCKET ADAPTORS - Japan

Stock No.	Item	Female x Male	Length (mm)	Box
004-154-0203	BA23	1/4" x 3/8"	22	10
004-154-0302	BA32	3/8" x 1/4"	25	5
004-154-0304	BA34	3/8" x 1/2"	29.5	5
004-154-04031	BA43	1/2" x 3/8"	35	5
004-154-0406	BA3040	1/2" x 3/4"	40	10
004-154-0604	BA4030	3/4" x 1/2"	43	10

Chrome Vanadium steel, chrome-plated, JIS standard, for manual drive



KTC UNIVERSAL JOINT - Japan

Stock No.	Item	Dr	Length (mm)	Box
004-158-02	BJ10	1/4"	32	10
004-158-03	BJ20	3/8"	54	10
004-158-04	BJ30	1/2"	73	10

Chrome Vanadium steel, chrome-plated, JIS standard, for manual drive



KTC EXTENSION BARS - Japan

Stock No.	Item	Dr	Length (mm)	Box
004-166-20030	BE2-030	1/4"	30	5
004-166-20050	BE2-050	1/4"	50	5
004-166-20075	BE2-075	1/4"	75	5
004-166-20100	BE2-100	1/4"	100	5
004-166-20150	BE2-150	1/4"	150	5
004-166-20200	BE2-200	1/4"	200	5
004-166-20270	BE2-270	1/4"	270	5
004-166-20400	BE10-400	1/4"	400	5
004-166-20600	BE2-600	1/4"	600	5
004-166-30030	BE3-030	3/8"	30	5
004-166-30040	BE20-40	3/8"	40	10
004-166-30050	BE3-050	3/8"	50	5
004-166-30075	BE3-075	3/8"	75	5
004-166-30100	BE3-100	3/8"	100	5
004-166-30150	BE3-150	3/8"	150	5
004-166-30200	BE3-200	3/8"	200	5
004-166-30270	BE3-270	3/8"	270	5
004-166-30300	BE20-300	3/8"	300	5
004-166-30600	BE3-600	3/8"	600	1
004-166-40050	BE4-050	1/2"	50	5
004-166-40075	BE4-075	1/2"	75	5
004-166-40100	BE4-100	1/2"	100	5
004-166-40150	BE4-150	1/2"	150	5
004-166-40200	BE4-200	1/2"	200	5
004-166-40270	BE4-270	1/2"	270	5
004-166-40600	BE4-600	1/2"	600	1
004-166-41000	BE4-100	1/2"	1000	1

Chrome Vanadium steel, chrome-plated, JIS standard, for manual drive

TB410



KTC 1/2" Dr SOCKET SET - Japan

TB410	Width	Depth	Height
Overall	445mm	185mm	52mm
Stock No :	003-004-410		

Contents (14 pcs)

6pt Skt: 8, 10, 12, 13, 14, 17, 19, 21, 22, 24mm.
Ratchet Handle.
Ext Bar 75, 150mm,
Universal Joint.
5pc Socket Holder
3.4kg; 1 Set/Box

Metal case is made of heavy gauge steel, enamel paint finish. Tools are made of chrome vanadium steel, chrome-plated. JIS standard, for manual drive

TB415X



KTC 1/2" Dr SOCKET SET - Japan

TB415X	Width	Depth	Height
Overall	445mm	185mm	52mm
Stock No :	003-004-415		

Contents (21 pcs)

6pt Skt: 8, 10, 11, 12mm.
12pt Skt: 13, 14, 17, 19, 21, 22, 24, 26, 27, 30, 32mm.
Ratchet Handle.
Flexible Handle.
Ext Bar 75, 150mm,
Wobble Ext Bar 100mm
Universal Joint.
5pc Socket Holder
5.4kg; 1 Set/Box

Metal case is made of heavy gauge steel, enamel paint finish. Tools are made of chrome vanadium steel, chrome-plated. JIS standard, for manual drive

TB415BX



KTC 1/2" Dr SOCKET SET - Japan

TB415BX	Width	Depth	Height
Overall	445mm	185mm	52mm
Stock No :	003-004-4151		

Contents (21 pcs)

6pt Skt: 7/16".
12pt Skt: 1/2", 9/16", 19/32", 5/8", 11/16", 3/4", 25/32", 13/16", 7/8", 15/16", 1" 1-1/16", 1-1/8", 1-1/4".
Ratchet Handle.
Flexible Handle.
Ext Bar 75, 150mm,
Wobble Ext Bar 100mm
Universal Joint.
5pc Socket Holder
5.4kg; 1 Set/Box

Metal case is made of heavy gauge steel, enamel paint finish. Tools are made of chrome vanadium steel, chrome-plated. JIS standard, for manual drive

B2503PA



KTC 3/8" Dr SPARK PLUG SOCKET SET - Japan

B2503PA	Width	Depth	Height
Overall	260mm	120mm	40mm
Stock No :	003-039-2503		

Contents (7pcs)

Spark Plug Skt: 16, 18, 20.8mm.
Ext Bar 75, 250mm.
Flex Ratchet Handle.
Testing Screwdriver.
1.8kg; 1 Set/Box

Metal case is made of heavy gauge steel, enamel paint finish. Tools are made of chrome vanadium steel, chrome-plated. JIS standard, for manual drive



M10 RATCHET HANDLE WITH QUICK RELEASE - Taiwan

Stock No.	Item	Dr	Width (mm)	O.L (mm)	No. of teeth	Box / Ctn
004-170-2144	02144	1/4"	23	144	48	20/100
004-170-3199	03199	3/8"	31	199	48	20/50
004-170-4255	04255	1/2"	42	255	48	10/30
004-170-6500	06500	3/4"	60	500	24	5/10



KTC RATCHET HANDLE - Japan

Stock No.	Item	Dr	Width (mm)	O.L (mm)	No. of teeth	Box
004-171-02	BR2E	1/4"	22	125	36	5
004-171-032	BR3E	3/8"	33	180	36	5
004-171-042	BR4E	1/2"	39.5	250	36	5

Chrome Vanadium steel, chrome-plated, mirror finish, JIS standard, for manual drive.



KTC SLIDING T-HANDLES - Japan

Stock No.	Item	Dr	Length (mm)	Box
004-178-03	BHM3	3/8"	200	5
004-178-04	BHM4	1/2"	250	5
004-178-06	BH/BL40	3/4"	500	1

Chrome Vanadium steel, chrome-plated, JIS standard, for manual drive.



KTC OFFSET L-HANDLES - Japan

Stock No.	Item	Dr	Length (mm)	Box
004-182-04	BO30 - 280	1/2"	280	2
004-182-06	BO40 - 320	3/4"	315	2
004-182-08	BO50-600	1"	600	1

Chrome Vanadium steel, chrome-plated, JIS standard, for manual drive.



KTC QUICK SPINNER - Japan

Stock No.	Item	Dr	Length (mm)	Box
004-183-6301	BE3-Q	3/8"	31	10

Chrome Vanadium steel, chrome-plated, JIS standard, for manual drive.



KTC FLEX HANDLES - Japan

004-187-02	BS2E	1/4"	150	5
004-187-021	BS2L	1/4"	200	5
004-187-03	BS3E	3/8"	300	5
004-187-031	BS3L	3/8"	400	5
004-187-04	BS4E	1/2"	400	5
004-187-041	BS4L	1/2"	600	1
004-187-06	BS40-500	3/4"	500	1
004-187-061	BS6-1050	3/4"	1000	1

Chrome Vanadium steel, chrome-plated, JIS standard, for manual drive.



KTC DRIVER TYPE HANDLES - Japan

004-195-02	BD-10	1/4"	150	5
004-195-03	BD-20	3/8"	150	5

Chrome Vanadium steel, chrome plated, JIS standard, for manual drive.

KTC 3/8" Dr LONG HEX SCREWDRIVER SOCKETS - Japan



Stock No.	Item	Size (mm)	D x A x L (mm)	Box
004-387-03	BT3-03L	3	17 x 99 x 128	10
004-387-04	BT3-04L	4	17 x 99 x 128	10
004-387-05	BT3-05L	5	12 x 99 x 128	10
004-387-06	BT3-06L	6	12 x 99 x 128	10
004-387-07	BT3-07L	7	18.5 x 99 x 128	10
004-387-08	BT3-08L	8	18.5 x 99 x 128	10
004-387-09	BT3-09L	9	18.5 x 99 x 128	10
004-387-10	BT3-10L	10	18.5 x 99 x 128	10
004-387-12	BT3-12L	12	22 x 96 x 128	10

Chrome Vanadium Steel sockets, heat-treated alloy steel bits, JIS standard, for manual drive

KTC 3/8" Dr TORX T-TYPE SOCKET - Japan



Stock No.	Item	Size	D x A x L (mm)	Box
004-473-620	BT3-T20	T20	17 x 37 x 66	10
004-473-625	BT3-T25	T25	17 x 37 x 66	10
004-473-627	BT3-T27	T27	17 x 37 x 66	10
004-473-630	BT3-T30	T30	17 x 37 x 66	10
004-473-640	BT3-T40	T40	18.5 x 42 x 71	10
004-473-645	BT3-T45	T45	18.5 x 42 x 71	10
004-473-650	BT3-T50	T50	18.5 x 42 x 71	10
004-473-655	BT3-T55	T55	22 x 44 x 76	10

Made of Chrome Vanadium Steel, for manual tool, JIS std.

KTC 3/8" Dr TORX TAMPER T-TYPE SOCKET - Japan



Stock No.	Item	Size	D x A x L (mm)	Box
004-473-920	BT3-T20H	T20	17 x 37 x 66	10
004-473-925	BT3-T25H	T25	17 x 37 x 66	10
004-473-927	BT3-T27H	T27	17 x 37 x 66	10
004-473-930	BT3-T30H	T30	17 x 37 x 66	10
004-473-940	BT3-T40H	T40	18.5 x 42 x 71	10
004-473-945	BT3-T45H	T45	18.5 x 42 x 71	10
004-473-950	BT3-T50H	T50	18.5 x 42 x 71	10
004-473-955	BT3-T55H	T55	22 x 44 x 76	10

Made of Chrome Vanadium Steel, for manual tool, JIS std.

KTC 3/8" Dr LONG TORX TAMPER T-TYPE SOCKET - Japan



Stock No.	Item	Size	D x A x L (mm)	Box
004-473-9720	BT3-T20HL	T20	17 x 99 x 128	10
004-473-9725	BT3-T25HL	T25	17 x 99 x 128	10
004-473-9727	BT3-T27HL	T27	17 x 99 x 128	10
004-473-9730	BT3-T30HL	T30	17 x 99 x 128	10
004-473-9740	BT3-T40HL	T40	18.5 x 99 x 128	10
004-473-9745	BT3-T45HL	T45	18.5 x 99 x 128	10
004-473-9750	BT3-T50HL	T50	18.5 x 99 x 128	10
004-473-9755	BT3-T55HL	T55	22.0 x 96 x 128	10

Made of Chrome Vanadium Steel, for manual tool, JIS std.



KTC 3/8" Dr IMPACT DEEP SOCKET (6pt) - Japan

Stock No.	Size (mm)	Length (mm)	Box
004-282-06	6	55	5
004-282-07	7	55	5
004-282-08	8	55	5
004-282-09	9	55	5
004-282-10	10	55	5
004-282-11	11	55	5
004-282-12	12	55	5
004-282-13	13	55	5
004-282-14	14	80	5
004-282-17	17	80	5
004-282-19	19	80	5
004-282-21	21	80	5
004-282-22	22	80	5

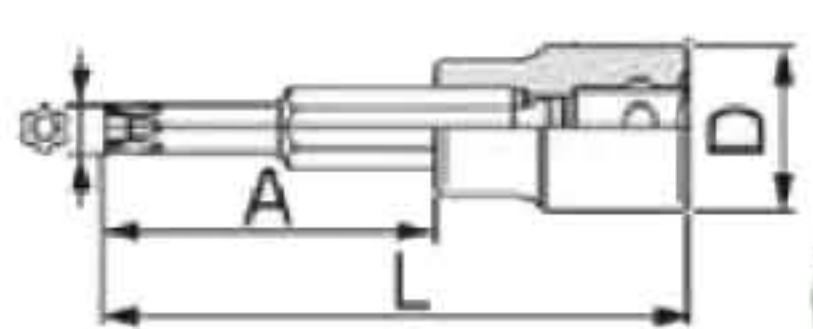
Made of Super Chrome Vanadium Steel, JIS standard, for electric and pneumatic power tools.



KTC 1/2" Dr IMPACT DEEP SOCKET (6pt) - Japan

Stock No.	Size (mm)	Length (mm)	Box
004-298-10	10	75	5
004-298-12	12	75	5
004-298-13	13	75	5
004-298-14	14	80	5
004-298-17	17	80	5
004-298-19	19	80	5
004-298-21	21	80	5
004-298-22	22	80	5
004-298-23	23	80	5
004-298-24	24	80	5
004-298-26	26	100	5
004-298-27	27	100	5
004-298-30	30	100	5
004-298-32	32	100	5

Made of Super Chrome Vanadium Steel, JIS standard, for electric and pneumatic tools.



KTC 1/4" Dr TORX TAMPER T-TYPE SOCKET - Japan

Stock No.	Item	Size	D x A x L (mm)	Box
004-472-908	BT2-T 8H	T8	16 x 32 x 54.5	10
004-472-909	BT2-T 9H	T9	16 x 32 x 54.5	10
004-472-910	BT2-T 10H	T10	16 x 32 x 54.5	10
004-472-915	BT2-T 15H	T15	16 x 37 x 59.5	10
004-472-920	BT2-T 20H	T20	16 x 37 x 59.5	10
004-472-925	BT2-T 25H	T25	16 x 37 x 59.5	10
004-472-927	BT2-T 27H	T27	16 x 37 x 59.5	10
004-472-930	BT2-T 30H	T30	16 x 37 x 59.5	10

Made of chrome vanadium steel, for manual tool, JIS std.

KTC SPARK PLUG SOCKET - Japan



Stock No.	Item	Size (mm)	Dr	Length (mm)	Box
004-497-3014	B3A-14SP	14	3/8"	62	5
004-497-3016	B3A-16SP	16	3/8"	65	5
004-497-313	B25P-13H	13	3/8"	56	5
004-497-316	B3A-16P	16	3/8"	62	5
004-497-318	B25P-18H	18	3/8"	62	5
004-497-3208	B3A-20.8P	20.8	3/8"	62	5
004-497-416	B4A-16H	16	1/2"	63.5	5
004-497-419	B4A-19H	19	1/2"	65	5
004-497-4208	B4A-20.8P	20.8	1/2"	65	5

Made of Chrome Vanadium Steel, for manual drive, JIS standard.
For removing and replacing spark plug with inner socket. Item B3A-16SP - thin wall type for use on 4 valve engine of Mitsubishi mini cars.

KTC UNIVERSAL SPARK PLUG SOCKET - Japan



Stock No.	Item	Size (mm)	Dr	Length (mm)	Box
004-499-3314	B3F-14SP	14	3/8"	192	1
004-499-3316	B3F-16SP	16	3/8"	230	1

Chrome Vanadium Steel, chrome-plated, for manual drive, JIS standard. Thin wall type for wider application. Ext. Bar and spark plug wrench combined in one body.

KTC 3/8" Dr ULTRA LONG SPARK PLUG SOCKETS - Japan



Stock No.	Item	Size (mm)	Length (mm)	Box
004-499-9316	B3P-16LL	16	250	5

Chrome Vanadium Steel, chrome-plated, for manual drive, JIS standard.

KTC 4pt IMPACT INNER SOCKET - Japan



Stock No.	Item	Size (mm) (4pt)	Dr	Length (mm)	Box
004-500-617	ABP6-17SQP	17	3/4"	56.5	5
004-500-619	ABP6-19SQP	19	3/4"	56.5	5
004-500-620	ABP6-20SQP	20	3/4"	58.5	5
004-500-621	ABP6-21SQP	21	3/4"	60.5	5
004-500-817	ABP8-17SQP	17	1"	61.5	5
004-500-819	ABP8-19SQP	19	1"	61.5	5
004-500-820	ABP8-20SQP	20	1"	63.5	5
004-500-821	ABP8-21SQP	21	1"	63.5	5

Super Chrome Vanadium Steel, JIS standard, for electric and pneumatic power tools.

KTC IMPACT COMBINATION WHEEL NUT SOCKET - Japan



Stock No.	Item	Size (mm) (6ptx4pt)	Dr	Length (mm)	Box
004-501-83517	ABP8-3517TP	35 x 17	1"	83	2
004-501-83820	ABP8-3820TP	38 x 20	1"	80	2
004-501-84119	ABP8-4119TP	41 x 19	1"	85	2
004-501-84121	ABP8-4121TP	41 x 21	1"	87	2

Super Chrome Vanadium Steel, JIS standard, for electric and pneumatic power tools. Used on trucks for tightening and loosening nuts.



KTC 1/2" Dr CYLINDER HEAD-BOLT SOCKET - Japan

Stock No.	Item	Size (mm)	Dr	Length (mm)	Box
004-492-3508	HBD35-8	8	1/2"	100	5
004-492-3510	HBD35-10	10	1/2"	100	5
004-492-36010	B360-10	10	1/2"	95	5
004-492-353	HBD353 - 3pcs set of the above items.				

Made of chrome vanadium steel, JIS standard, for manual drive.



KTC 1/2" Dr CYLINDER HEAD-BOLT SOCKET - Japan

Stock No.	Item	Size (mm)	Dr	Length (mm)	Box
004-493-3508	HB35-8	8	1/2"	80	5
004-493-3510	HB35-10	10	1/2"	105	5
004-493-352	HBD352 - 2pcs set of the above items.				

Made of chrome vanadium steel, JIS standard, for manual drive.
8mm for Mitsubishi and small cars; 10mm for Nissan.



KTC 1/2" Dr CYLINDER HEAD-BOLT SOCKET - Japan

Stock No.	Item	Size (mm)	Dr	Length (mm)	Box
004-494-35010	B350-10	10	1/2"	190	5
004-494-35012	B350-12	12	1/2"	200	5
004-494-3502	B3502 - 2pcs set of the above items.				

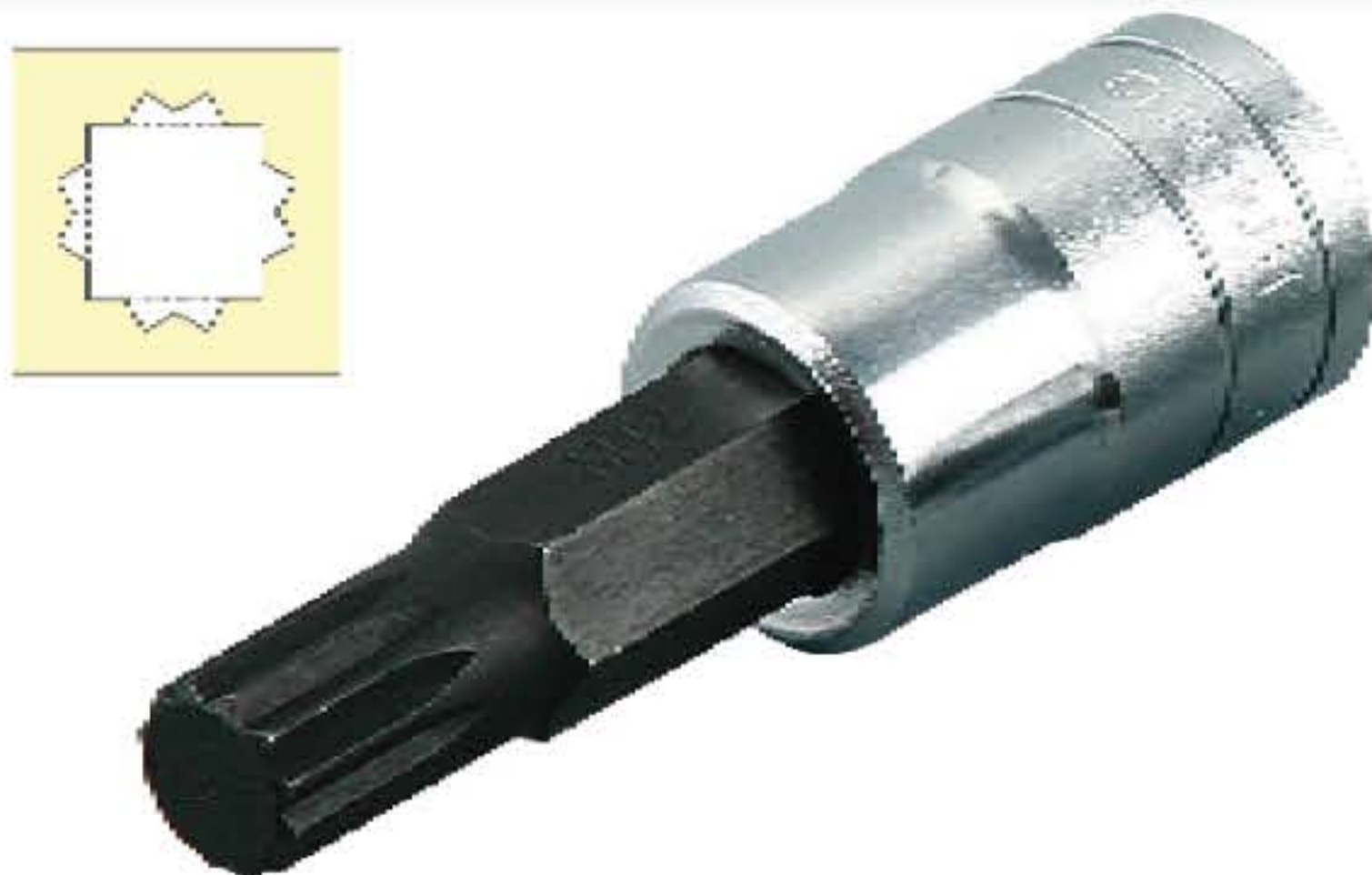
Made of chrome vanadium steel, JIS standard, for manual drive.
10mm for Honda Accord, Civic, CVCC, City, Vigar. 12mm for Nissan Sunny, Pulsar, Langley Prellie, Livetta, Laurelbit. Also for E type engine.



KTC 1/2" Dr DRAIN PLUG SOCKET - Japan

Stock No.	Item	Size (mm)	Diameter (mm)	Length (mm)	Box
004-488-10	AC301-10	10	26.5	31	10
004-488-13	AC301-13	13	26.5	31	10
004-488-17	AC301-17	17	26.5	32	10
004-488-3013	ATC3013	3 pcs of the above items			1

Made of Chrome Vanadium Steel. Chrome plated. JIS standard, for manual drive.
For tightening and loosening of drain plugs (fler) on transmissions.



KTC TRIPLE SQUARE (XZN) SOCKETS - Japan

Stock No.	Item	Size	Dr	Length (mm)	Box
004-495-2008	HBT20	M8	3/8"	50	5
004-495-2010	HBT20	M10	3/8"	100	5

Made of Chrome Vanadium Steel, JIS standard, for manual drive.



KTC 3/4" CYLINDER HEAD-BOLT SOCKETS - Japan

Stock No.	Item	Size (mm)	Dr	Length (mm)	Box
004-496-4214	ABP6-14WP	14	3/4"	140	5
004-496-4217	ABP6-17WP	17	3/4"	90	5
004-496-4219	ABP6-19WP	19	3/4"	90	5
004-496-4222	ABP6-22WP	22	3/4"	120	5

Made of Chrome Vanadium Steel, JIS standard, for manual drive.

KTC 1/2" DR TORX E-TYPE SOCKET - Japan



Stock No.	Item	Size	Length (mm)	Box
004-480-608	B4-E8	E8	30	10
004-480-610	B4-E10	E10	31	10
004-480-611	B4-E11	E11	32	10
004-480-612	B4-E12	E12	33	10
004-480-614	B4-E14	E14	34.5	10
004-480-616	B4-E16	E16	36	10
004-480-618	B4-E18	E18	37	10
004-480-620	B4-E20	E20	38.5	10
004-480-624	B4-E24	E24	41	10

Made of Chrome Vanadium Steel, chrome plated. For manual tool, JIS std.

KTC 1/2" Dr WHEEL NUT SOCKET FOR ALUMINIUM WHEELS - Japan



Stock No.	Item	Size (mm)	Length (mm)	Box
004-501-917	B35A-17H	17	60	10
004-501-919	B35A-19H	19	60	10
004-501-921	B35A-21H	21	60	10

Made of Chrome Vanadium Steel, chrome plated, for manual drive, JIS standard. Use with torque wrench, rubber cushion for plated and painted wheel nut.

KTC 1/2" Dr WHEEL NUT SOCKET FOR ALUMINIUM WHEELS - Japan



Stock No.	Item	Size (mm)	Length (mm)	Box
004-501-9417	B38Z-17H	17	100	5
004-501-9419	B38Z-19H	19	100	5
004-501-9421	B38Z-21H	21	100	5
004-501-9422	B38Z-22H	22	100	5

Made of Chrome Vanadium Steel, chrome plated, for manual drive, JIS standard. Use with torque wrench, rubber cushion for plated and painted wheel nut.

KTC 1/2" Dr LONG WHEEL NUT SOCKET FOR ALUMINIUM WHEELS - Japan



Stock No.	Item	Size (mm)	Length (mm)	Box
004-501-9517	B38ZL-17H	17	180	5
004-501-9519	B38ZL-19H	19	180	5
004-501-9521	B38ZL-21H	21	180	5

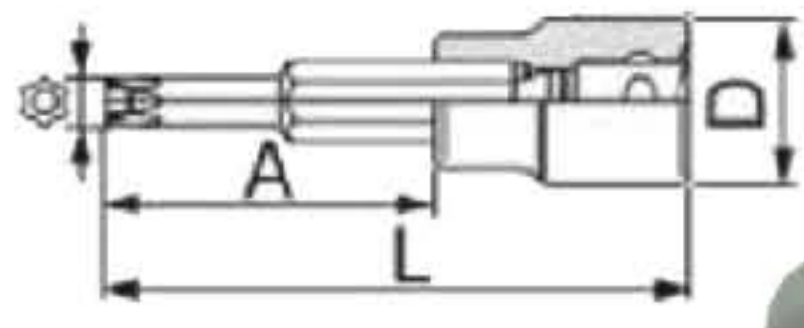
Made of Chrome Vanadium Steel, chrome plated, for manual drive, JIS standard. Use with torque wrench, rubber cushion for plated and painted wheel nut.

KTC WHEEL NUT SOCKET FOR IMPACT WRENCH - Japan



Stock No.	Item	Size (mm)	Dr	Length (mm)	Box
004-502-17	BP48-17	17	1/2"	100	5
004-502-19	BP48-19	19	1/2"	100	5
004-502-21	BP48-21	21	1/2"	100	5
004-502-22	BP48-22	22	1/2"	100	5
004-502-4703	TBP4803	3pcs set of 17, 19, 21mm			1

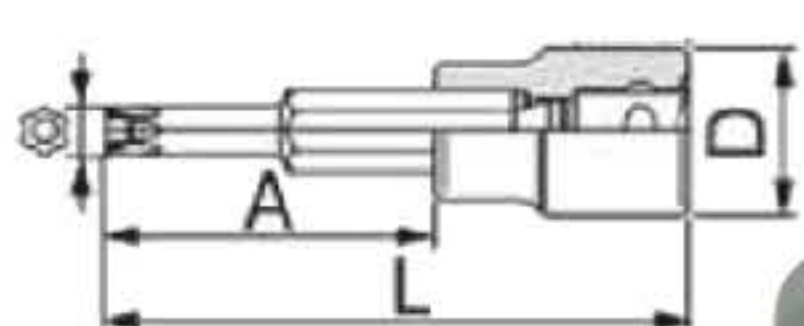
Made of Super Chrome Vanadium Steel, black for electric and pneumatic tools. Thin Wall. JIS standard.



KTC 1/2" Dr TORX T-TYPE SOCKET - Japan

Stock No.	Item	Size	D x A x L (mm)	Box
004-474-30	BT4-T30	T30	22 x 37 x 70	10
004-474-40	BT4-T40	T40	22 x 42 x 75	10
004-474-45	BT4-T45	T45	22 x 42 x 75	10
004-474-50	BT4-T50	T50	22 x 42 x 75	10
004-474-55	BT4-T55	T55	22 x 44 x 80	10
004-474-60	BT4-T60	T60	24 x 47 x 85	10
004-474-70	BT4-T70	T70	25 x 49 x 90	10

Made of Chrome Vanadium Steel, for manual tool, JIS std.



KTC 1/2" Dr TORX TAMPER T-TYPE SOCKET - Japan

Stock No.	Item	Size	D x A x L (mm)	Box
004-474-930	BT4-T30H	T30	22 x 37 x 70	10
004-474-940	BT4-T40H	T40	22 x 42 x 75	10
004-474-945	BT4-T45H	T45	22 x 42 x 75	10
004-474-950	BT4-T50H	T50	22 x 42 x 75	10
004-474-955	BT4-T55H	T55	22 x 44 x 80	10
004-474-960	BT4-T60H	T60	24 x 47 x 85	10
004-474-970	BT4-T70H	T70	25 x 49 x 90	10

Made of Chrome Vanadium Steel, for manual tool, JIS std.



KTC 1/4" Dr TORX E-TYPE SOCKET - Japan

Stock No.	Item	Size	Length (mm)	Box
004-478-604	B2-E4	E4	18	10
004-478-605	B2-E5	E5	18.5	10
004-478-606	B2-E6	E6	19	10
004-478-607	B2-E7	E7	20.5	10
004-478-608	B2-E8	E8	21	10
004-478-610	B2-E10	E10	22	10

Made of Chrome Vanadium Steel, chrome plated. For manual tool, JIS std.



KTC 3/8" DR TORX E-TYPE SOCKET - Japan

Stock No.	Item	Size	Length (mm)	Box
004-479-605	B3-E5	E5	22.5	10
004-479-606	B3-E6	E6	23	10
004-479-607	B3-E7	E7	24	10
004-479-608	B3-E8	E8	25	10
004-479-610	B3-E10	E10	26	10
004-479-612	B3-E12	E12	27	10
004-479-614	B3-E14	E14	28	10
004-479-616	B3-E16	E16	30	10

Made of Chrome Vanadium Steel, chrome plated. For manual tool, JIS std.

KTC COMBINATION WRENCH - Japan



Made of chrome vanadium steel, chrome-plated.

Stock No.	Item	Size (mm)	Length (mm)	Box
005-036-9032	MS2-032	3.2	75	5
005-036-904	MS2-04	4	80	5
005-036-9045	MS2-045	4.5	85	5
005-036-905	MS2-05	5	90	5
005-036-9055	MS2-055	5.5	96	5
005-036-906	MS2-06	6	96	5
005-036-907	MS2-07	7	111	5
005-036-908	MS2-08	8	126	5
005-036-909	MS2-09	9	136	5
005-036-910	MS2-10	10	151	5
005-036-911	MS2-11	11	161	5
005-036-912	MS2-12	12	170	5
005-036-913	MS2-13	13	188	5
005-036-914	MS2-14	14	190	5
005-036-915	MS2-15	15	200	5
005-036-916	MS2-16	16	215	5
005-036-917	MS2-17	17	225	5
005-036-918	MS2-18	18	241	5
005-036-919	MS2-19	19	256	5
005-036-920	MS2-20	20	271	5
005-036-921	MS2-21	21	289	5
005-036-922	MS2-22	22	304	5
005-036-923	MS2-23	23	311	5
005-036-924	MS2-24	24	337	5
005-036-925	MS2-25	25	351	5
005-036-926	MS2-26	26	371	5
005-036-927	MS2-27	27	381	5
005-036-928	MS2-28	28	401	5
005-036-929	MS2-29	29	421	1
005-036-930	MS2-30	30	446	1
005-036-931	MS2-31	31	462	1
005-036-932	MS2-32	32	471	1

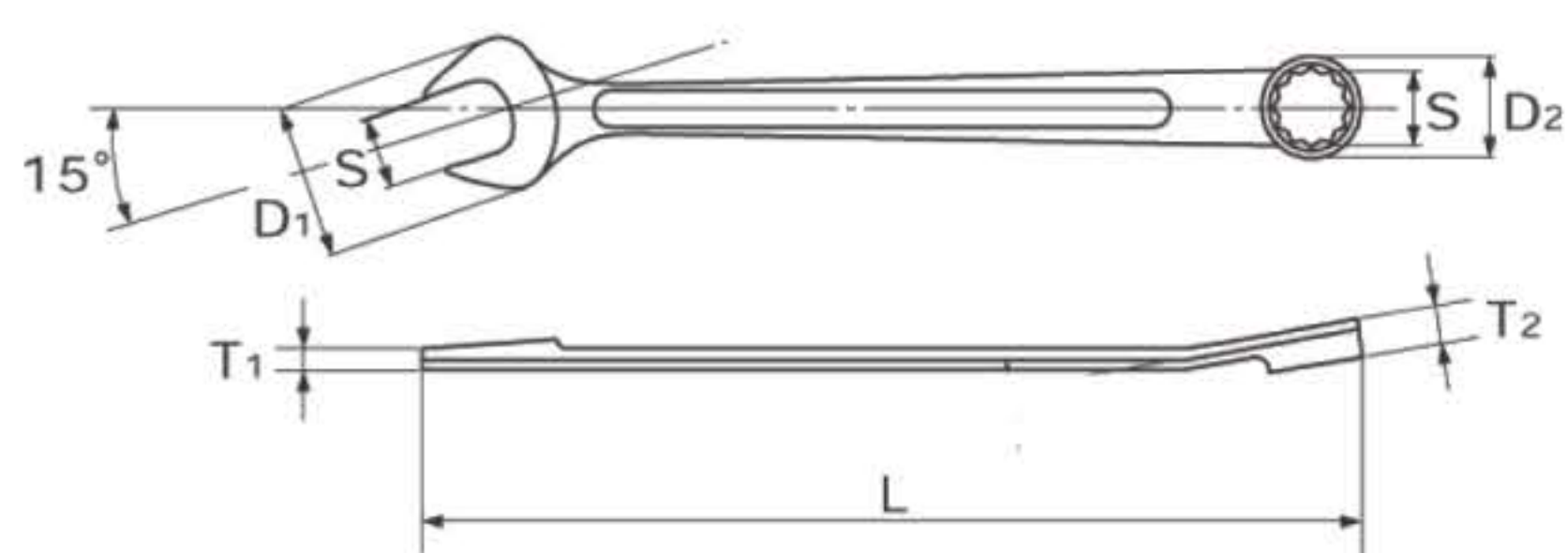
KTC COMBINATION WRENCH SET - Japan



Stock No.	Description
005-037-911	Item M01: 11 pcs (mm) 8,9,10,11,12,13,14,17,19,22,24
005-037-914	Item M02: 14 pcs (mm) 8,10,11,12,13,14,15,17,19,22,24,27,30,32
005-037-9911	Empty bag for 11pcs
005-037-9914	Empty bag for 14pcs

Made of chrome vanadium steel, chrome-plated.

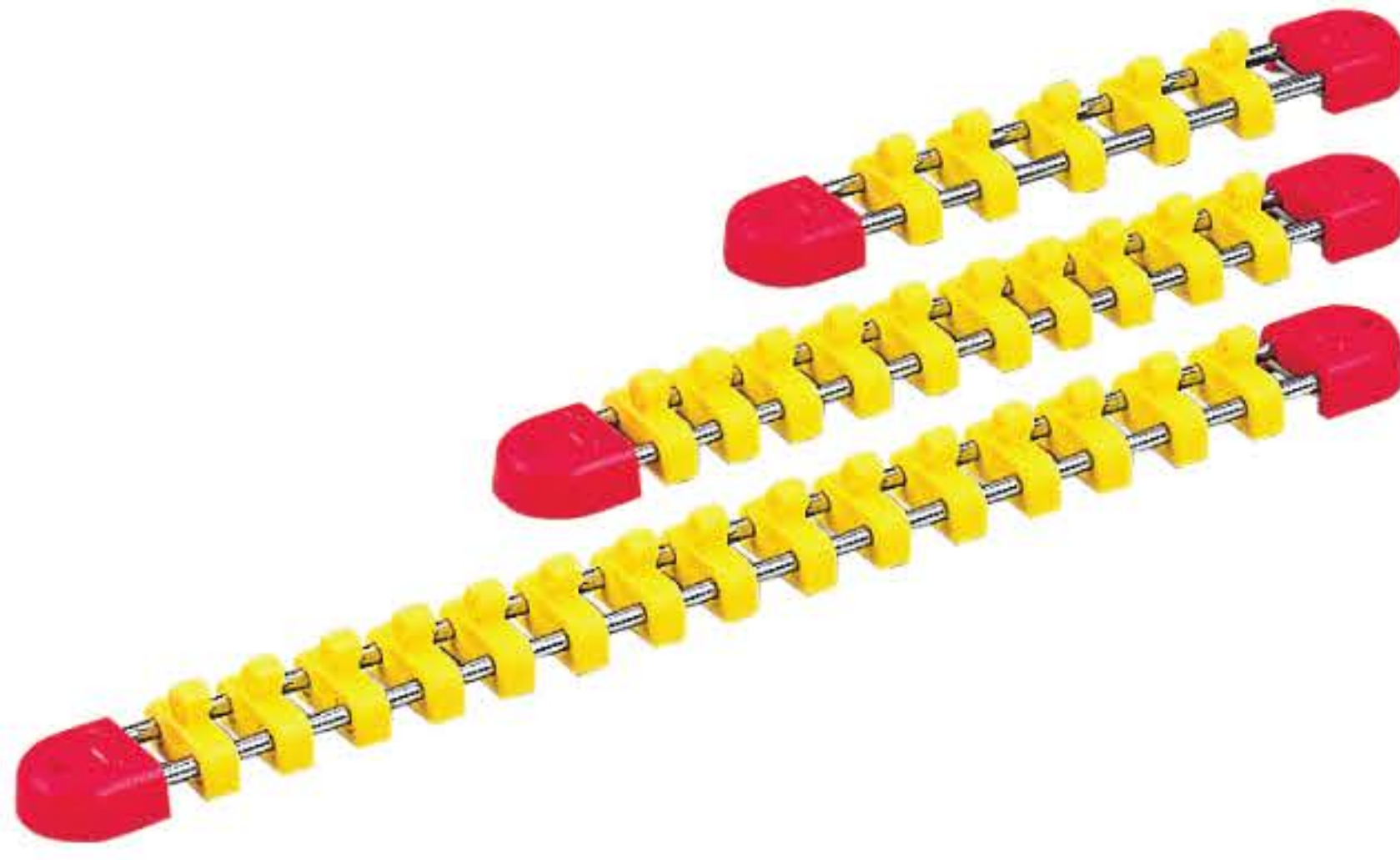
KTC THIN TYPE PROFIT COMBINATION WRENCH- Japan



Stock No.	Item	Size (mm)	D ₁ (mm)	D ₂ (mm)	T ₁ (mm)	T ₂ (mm)	L (mm)	Off set	Box
005-038-08	MS30	8	18	11.5	2.5	4.5	125	18°	10
005-038-10	MS30	10	21.5	14.5	3	5.5	150	15°	10
005-038-12	MS30	12	26	17.5	3.8	6.5	170	13°	10
005-038-13	MS30	13	28.5	18.5	4	7	185	12°	10
005-038-14	MS30	14	29.5	20	4.1	7.5	200	11°	10
005-038-15	MS30	15	32	21	4.2	8	215	10°	10
005-038-17	MS30	17	36	24	4.3	9	240	9°	10
005-038-19	MS30	19	40	26.5	4.5	10	260	9°	10
005-038-305	TMS-305	5pcs: 8,10,12,13,14mm in plastic box (L187 x W190 x H44)							

Made of chrome vanadium steel, chrome-plated.

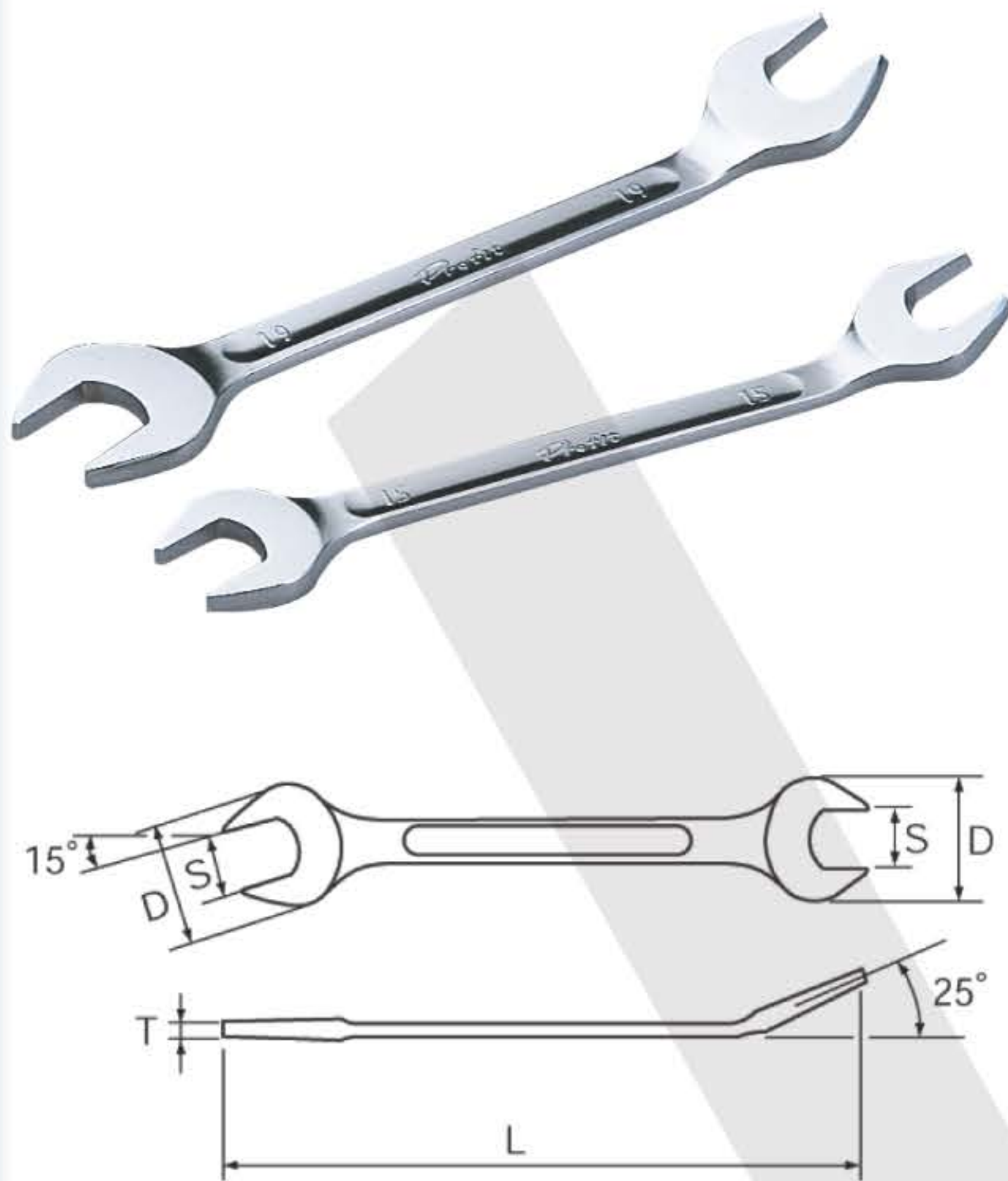
KTC SOCKET HOLDER - Japan



Stock No.	Item	L (mm)	H (mm)	No. of Clips	Box
For 1/4" Dr Socket (Yellow Colour)					
004-600-205	EHB205	165	19	5	10
004-600-210	EHB210	215	19	10	10
004-600-215	EHB215	315	19	15	10
For 3/8" Dr Socket (Red Colour)					
004-600-305	EHB305	215	23	5	10
004-600-310	EHB310	315	23	10	10
004-600-306	B20-6R	150	21	6	5
004-600-3101	B20-10R	285	21	10	5
For 1/2" Dr Socket (Green Colour)					
004-600-405	EHB405	215	26.5	5	10
004-600-410	EHB410	365	26.5	10	10
004-600-406	B30-6R	195	24	6	5
004-600-4101	B30-10R	320	24	10	5

Steel chrome-plated holder with plastic clips, easy insertion/removal yet strong holding strength.

KTC THIN TYPE PROFIT OPEN END WRENCH - Japan



Stock No.	item/ Size	D (mm)	T (mm)	L (mm)	Box
005-098-08	S30-8	19	3.0	120	10
005-098-10	S30-10	22	3.5	130	10
005-098-12	S30-12	27	4.3	140	10
005-098-13	S30-13	29	4.5	150	10
005-098-14	S30-14	30	4.6	160	10
005-098-15	S30-15	33	4.7	170	10
005-098-17	S30-17	36	4.8	185	10
005-098-19	S30-19	40	5.0	200	10
005-098-305	TS305	5pcs: 8, 10, 12, 13, 14mm in plastic box (L215 x W120 x H45mm)			

Made of chrome vanadium steel, chrome plated, extra thin type, can be used when conventional type wrenches cannot be applied.

KTC DOOR-HINGE BOLT WRENCH - Japan



Stock No.	Item	Size (mm)	Length (mm)	Box
005-179-12	DMZ-12	12	300	10
005-179-14	DMZ-14	14	300	10
005-179-02	DMZ-2	12,14	300	10

Made of drop forged, chrome vanadium steel, chrome plated for heavy duty

KTC ADJUSTABLE WRENCH WITH SCALE- Japan



Stock No.	Item - Size	Capacity (mm)	Box
005-011-701	AS701 - 9"	17-24	1

Made of chrome vanadium steel, chrome-plated. Extra Heavy Duty Model. Special jaw for tie rod lock nut.

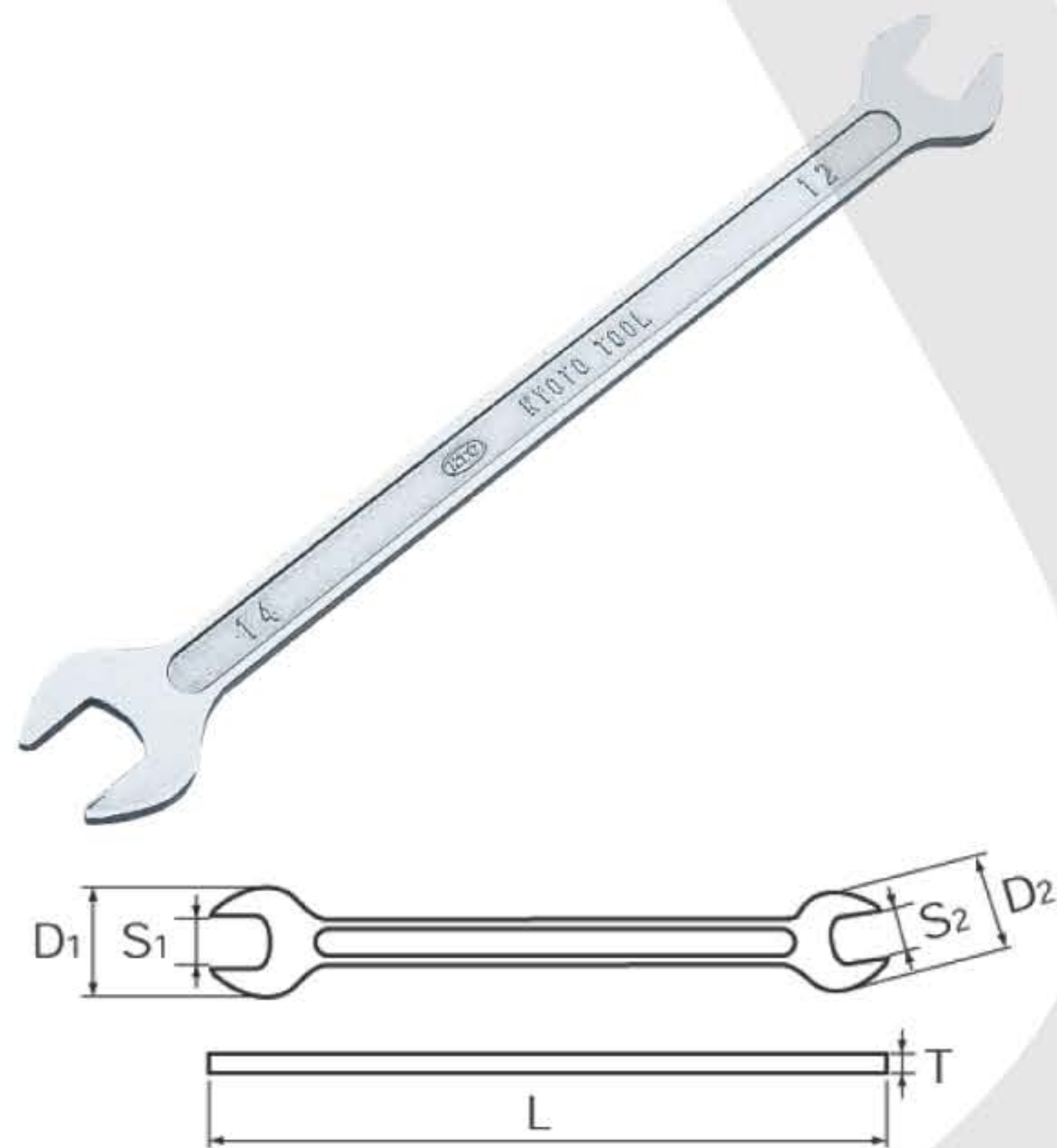
KTC DOUBLE OPEN END WRENCH - Japan



Chrome Vanadium Steel, JIS std.

Stock No.	Item	Size (mm)	Length (mm)	Box
005-090-05507	S2	5.5 x 7	102	5
005-090-0607	S100	6 x 7	100	10
005-090-0608	S100	6 x 8	105	10
005-090-0708	S100	7 x 8	105	10
005-090-0809	S2	8 x 9	118	5
005-090-0810	S2	8 x 10	122	5
005-090-1011	S100	10 x 11	125	10
005-090-1012	S2	10 x 12	138	5
005-090-1013	S2	10 x 13	143	5
005-090-1014	S100	10 x 14	140	10
005-090-1113	S2	11 x 13	147	5
005-090-1214	S2	12 x 14	157	5
005-090-1315	S15	13 x 15	175	10
005-090-1317	S100	13 x 17	160	10
005-090-1417	S2	14 x 17	173	5
005-090-1719	S2	17 x 19	195	5
005-090-1721	S2	17 x 21	203	5
005-090-1921	S2	19 x 21	218	5
005-090-1922	S2	19 x 22	223	5
005-090-2126	S10	21 x 26	230	10
005-090-2224	S2	22 x 24	244	5
005-090-2326	S10	23 x 26	230	10
005-090-2427	S2	24 x 27	253	5
005-090-2632	S100	26 x 32	270	5
005-090-2730	S100	27 x 30	270	5
005-090-3032	S100	30 x 32	285	5
005-090-4146	S10	41 x 46	395	5

KTC SLIM TYPE OPEN END WRENCH SET - Japan



Stock No.	item/ Size	D ₁ (mm)	D ₂ (mm)	T (mm)	L (mm)	Box	
005-096-1012	S20-10x12	21	26	4	210	5	
005-096-1210	S20-12x10	26	21	4	210	5	
005-096-1214	S20-12x14	26	30	4	215	5	
005-096-1412	S20-14x12	30	26	4	215	5	
005-096-1719	S20-17x19	36	40	4.5	235	5	
005-096-1917	S20-19x17	40	36	4.5	235	5	
005-096-206	S206	6pcs: 10x12, 12x10, 12x14, 14x12, 17x19, 19x17mm.					

Chrome Vanadium Steel, chrome plated.

KTC ADJUSTABLE WRENCH WITH SCALE - Japan



Made of chrome vanadium steel, chrome-plated, for heavy duty. JIS standard.

Stock No.	Item - Size	Max. Capacity (mm)	Box
005-006-06	WM150 - 6"	25	10
005-006-08	WM200 - 8"	30	10
005-006-10	WM250 - 10"	35	10
005-006-12	WM300 - 12"	43	5



KTC FLARE NUT WRENCH - Japan

Stock No.	Item	Size (mm)	Length (mm)	Box
005-123-1012	MZ10	10 x 12	145	5
005-123-1417	MZ10	14 x 17	164	5

Chrome Vanadium Steel, JIS std.



KTC FLARE NUT WRENCH - Japan

Stock No.	Item	Size (mm)	Length (mm)	Box
005-124-1012	MZ1	10 x 12	160	5
005-124-1014	MZ1	10 x 14	165	5
005-124-1112	MZ1	11 x 12	160	5

Chrome Vanadium Steel, JIS std.



Chrome Vanadium Steel,
Chrome Plated.

KTC FLAT LONG DOUBLE END RING WRENCH - Japan

Stock No.	Item	Size (mm)	Length (mm)	Box
005-272-0810	M150	8 x 10	185	10
005-272-1012	M150	10 x 12	200	10
005-272-1113	M150	11 x 13	200	10
005-272-1214	M150	12 x 14	220	10
005-272-1417	M150	14 x 17	245	10



Chrome Vanadium Steel,
Chrome Plated.

KTC 15° LONG DOUBLE END RING WRENCH - Japan

Stock No.	Item	Size (mm)	Length (mm)	Box
005-274-1012	M151	10 x 12	200	10
005-274-1214	M151	12 x 14	220	10
005-274-1417	M151	14 x 17	245	10



Chrome Vanadium Steel,
Chrome Plated.

KTC FLAT EXTRA LONG BOX END WRENCH - Japan

Stock No.	Item	Size (mm)	Length (mm)	Box
005-275-0810	M160	8 x 10	235	10
005-275-1012	M160	10 x 12	295	10
005-275-1214	M160	12 x 14	330	10
005-275-1417	M160	14 x 17	370	10
005-275-1719	M160	17 x 19	405	10



Chrome Vanadium Steel,
Chrome Plated.

KTC 45° DOUBLE END RING WRENCH - Japan

Stock No.	Item	Size (mm)	Length (mm)	Box
005-250-0810	M5	8 x 10	179	5
005-250-1012	M5	10 x 12	207	5
005-250-1113	M5	11 x 13	218	5
005-250-1214	M5	12 x 14	226	5
005-250-1417	M5	14 x 17	253	5
005-250-1719	M5	17 x 19	287	5
005-250-2224	M5	22 x 24	334	5



KTC M15 (12pt) 30°
Chrome Vanadium Steel,
Chrome Plated.

KTC 30° DOUBLE END RING WRENCH - Japan

Stock No.	Item	Size (mm)	Length (mm)	Box
005-253-2632	M15	26 x 32	415	5
005-253-2730	M15	27 x 30	410	5
005-253-2732	M15	27 x 32	415	5
005-253-2932	M15	29 x 32	460	5
005-253-3032	M15	30 x 32	460	5
005-253-3538	M15	35 x 38	520	5
005-253-3638	M15	36 x 38	520	5



Chrome Vanadium Steel,
Chrome Plated.

KTC 45° x 6° SHORT DOUBLE END RING WRENCH - Japan

Stock No.	Item	Size (mm)	Length (mm)	Box
005-262-0708	M5S-0708	7 x 8	102	5
005-262-0810	M5S-0810	8 x 10	109	5
005-262-1012	M5S-1012	10 x 12	127	5
005-262-1113	M20	11 x 13	125	10
005-262-1214	M20	12 x 14	130	10
005-262-1417	M20	14 x 17	145	10
005-262-1921	M20	19 x 21	180	10
005-262-204	M204	4pcs: 7x8, 10x12, 11x13, 14x17		1



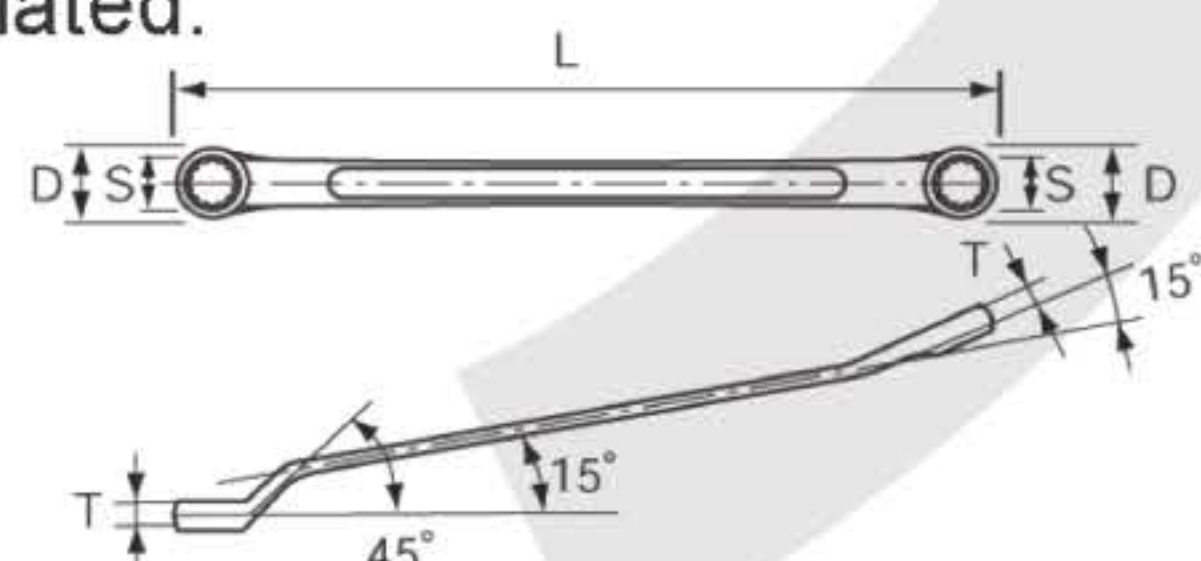
Chrome Vanadium Steel,
Chrome Plated.

KTC HEX 45° DOUBLE END RING WRENCH - Japan

Stock No.	Item	Size (mm)	Length (mm)	Box
005-264-08	M27	8	175	10
005-264-10	M27	10	195	10
005-264-12	M27	12	220	10
005-264-14	M27	14	240	10



Extra thin offset. Can be used when
conventional type of wrenches cannot
be applied. Chrome Vanadium Steel,
Chrome Plated.



KTC THIN TYPE PROFIT WRENCH 45° x 15° OFFSET WRENCH - Japan

Stock No.	Item	Size (mm)	D (mm)	T (mm)	L (mm)	Box
005-268-08	M30	8	12	4.5	155	10
005-268-10	M30	10	15	5.5	175	10
005-268-12	M30	12	18	6.5	200	10
005-268-13	M30	13	19	7.0	210	10
005-268-14	M30	14	21	7.5	225	10
005-268-17	M30	17	25	9.0	244	10
005-268-19	M30	19	27	10.0	270	10



Chrome Vanadium Steel,
Chrome Plated.

KTC FLAT DOUBLE END RING WRENCH - Japan

Stock No.	Item	Size (mm)	Length (mm)	Box
005-270-0708	M100	7 x 8	95	10
005-270-1012	M100	10 x 12	115	10
005-270-1214	M100	12 x 14	130	10
005-270-1417	M100	14 x 17	145	10
005-270-1719	M100	17 x 19	180	10
005-270-2224	M100	22 x 24	230	10



Chrome Vanadium Steel,
chrome plated.

KTC DOUBLE END SWIVEL SOCKET WRENCH - Japan

Stock No.	Item	Size (mm)	Length (mm)	Box
005-366-0809	FBHI	8 x 9	200	10
005-366-0810	FBHI	8 x 10	200	10
005-366-1012	FBHI	10 x 12	215	10
005-366-1214	FBHI	12 x 14	230	10
005-366-1314	FBHI	13 x 14	230	10
005-366-1417	FBHI	14 x 17	245	10
005-366-1719	FBHI	17 x 19	250	10

KTC RATCHET & MICROMETER TORQUE WRENCH - Japan



Stock No.	Item	Primary Scale		Dr.	Length (mm)	Weight (kg)
		Range	Incre			
005-334-0151	CMPB 0152	3 - 15 Nm	0.1	1/4"	247	0.3
005-334-052	CMPB 0503	10 - 50 Nm	0.5	3/8"	337	0.8
005-334-102	CMPB 1003	20 - 100 Nm	0.5	3/8"	397	0.9
005-334-053	CMPB 0504	10 - 50 Nm	0.5	1/2"	337	0.8
005-334-103	CMPB 1004	20 - 100 Nm	0.5	1/2"	397	0.9
005-334-203	CMPB 2004	40 - 200 Nm	2.0	1/2"	475	1.2
005-334-303	CMPB 3004	60 - 300 Nm	2.0	1/2"	480	1.2
005-334-804	CMPA 804	150 - 800 Nm	5.0	3/4"	1050	4.5
005-334-805	CMPA 805	150 - 800 Nm	5.0	1"	1050	4.5

Chrome Vanadium Steel, chrome-plated.

KTC DIAL TORQUE WRENCH - Japan



Stock No.	Item	Primary Scale		Dr.	Length (mm)	Weight (kg)
		Range	Incre			
005-336-0091	CMD 0091	1.8 - 9 Nm	0.2	1/4"	290	0.46
005-336-0172	CMD 0172	3.5 - 17.5 Nm	0.5	3/8"	290	0.46
005-336-0282	CMD 0282	6 - 28 Nm	0.5	3/8"	290	0.46
005-336-072	CMD 072	14 - 70 Nm	2.0	3/8"	375	0.76
005-336-143	CMD 143	30 - 140 Nm	2.0	1/2"	545	1.34
005-336-243	CMD 243	50 - 240 Nm	5.0	1/2"	545	1.33
005-336-353	CMD 353	70 - 350 Nm	10.0	1/2"	545	1.34
005-336-3531	CMD 353R	0 - 350 Nm	10.0	1/2"	618	1.50
005-336-484	CMD 484	100 - 480 Nm	10.0	3/4"	708	2.78
005-336-804	CMD 804	160 - 800 Nm	20.0	3/4"	1185	4.10
005-336-805	CMD 805	160 - 800 Nm	20.0	1"	1185	4.14

Chrome Vanadium Steel, chrome-plated.
CMD 353R comes with ratchet head.



KTC DIGITAL RATCHET TORQUE WRENCH - Japan

Stock No.	Item	Range	Incre	Dr	Length (mm)	Weight (g)
005-338-2030	GWE2-030	6-30 Nm	0.02 Nm	1/4"	211	330
005-338-3030	GWEC3-030	6-30 Nm	0.02 Nm	3/8"	211	330
005-338-3060	GWE3-060	12-60 Nm	0.05 Nm	3/8"	217	400
005-338-3085	GWE3-085	17-85 Nm	0.10 Nm	3/8"	271	440
005-338-4085	GWE4-085	17-85 Nm	0.10 Nm	1/2"	274	590
005-338-4135	GWE4-135	27-135 Nm	0.10 Nm	1/2"	380	700
005-338-4200	GWE4-200	40-200 Nm	0.20 Nm	1/2"	580	990

+/- 3% clockwise and +/- 4% anti clockwise
Can be used for measuring or tightening operations



KTC 4-WAYS WHEEL NUT WRENCH - Japan

Stock No.	Item	Size (mm)	Length (mm)
005-493-1017	XH10-17	10 x 12 x 14 x 17	300
005-493-1421	XH14-21	14 x 17 x 19 x 21	400
005-493-1723	XH17-23	17 x 19 x 21 x 23	400
005-493-1927	XH19-27	19 x 22 x 24 x 27	400

Made of heat treated alloy steel, chrome plated.



KTC T-SHAPE FLEX SPARK PLUG WRENCH - Japan

Stock No.	Item	Size (mm)	Length (mm)	Box
005-477-16	PHF-16H	16	385	10
005-477-208	PHF-20.8H	20.8	530	10

Made of Chrome Vanadium Steel, Chrome plated.



KTC T-SHAPE (SHORT HANDLE) WRENCH - Japan

Stock No.	Item	Size (mm)	Length x Handle (mm)	Box
005-478-08	TH-8N	8	250 x 130	1
005-478-10	TH-10N	10	250 x 130	1
005-478-12	TH-12N	12	250 x 130	1

Made of Chrome Vanadium Steel, Chrome plated.



KTC FLEX T-SHAPE WRENCH - Japan

Stock No.	Item	Size (mm)	Length x Handle (mm)	Box
005-485-10	THF2-10	10	330 x 180	10
005-485-12	THF2-12	12	330 x 180	10
005-485-13	THF2-13	13	330 x 180	10
005-485-14	THF2-14	14	335 x 180	10
005-485-17	THF2-17	17	335 x 180	10

Long Handle Type

005-486-10	THF2-10L	10	700 x 180	10
005-486-12	THF2-12L	12	700 x 180	10
005-486-13	THF2-13L	13	700 x 180	10
005-486-14	THF2-14L	14	705 x 180	10
005-486-17	THF2-17L	17	705 x 180	10

Made of chrome vanadium steel, Chrome plated.



KTC T-SHAPE WRENCH - Japan

Stock No.	Item	Size	Length x Handle (mm)	Box
005-479-08	TH-8	8	254 x 200	10
005-479-09	TH-9	9	254 x 200	10
005-479-10	TH-10	10	254.5 x 200	10
005-479-11	TH-11	11	254.5 x 200	10
005-479-12	TH-12	12	255 x 250	10
005-479-13	TH-13	13	255 x 250	10
005-479-14	TH-14	14	255.5 x 250	10
005-479-17	TH-17	17	306 x 300	10
005-479-19	TH-19	19	307 x 300	10
005-479-21	TH-21	21	307 x 300	10
005-479-22	TH-22	22	307.5 x 300	10
005-479-23	TH-23	23	307.5 x 300	10
005-479-24	TH-24	24	307.5 x 300	10
005-479-26	TH-26	26	307.5 x 300	10
005-479-27	TH-27	27	307.5 x 300	10

Made of Chrome Vanadium Steel, Chrome plated.



KTC L-TYPE WHEEL NUT WRENCH - Japan

Stock No.	Item	Size (mm)	Length x Handle (mm)	Box
005-488-14	OH-14	14	200 x 60	10
005-488-17	OH-17	17	250 x 80	10
005-488-19	OH-19	19	280 x 90	10
005-488-21	OH-21	21	280 x 110	10
005-488-23	OH-23	23	300 x 125	10
005-488-26	OH-26	26	300 x 155	10

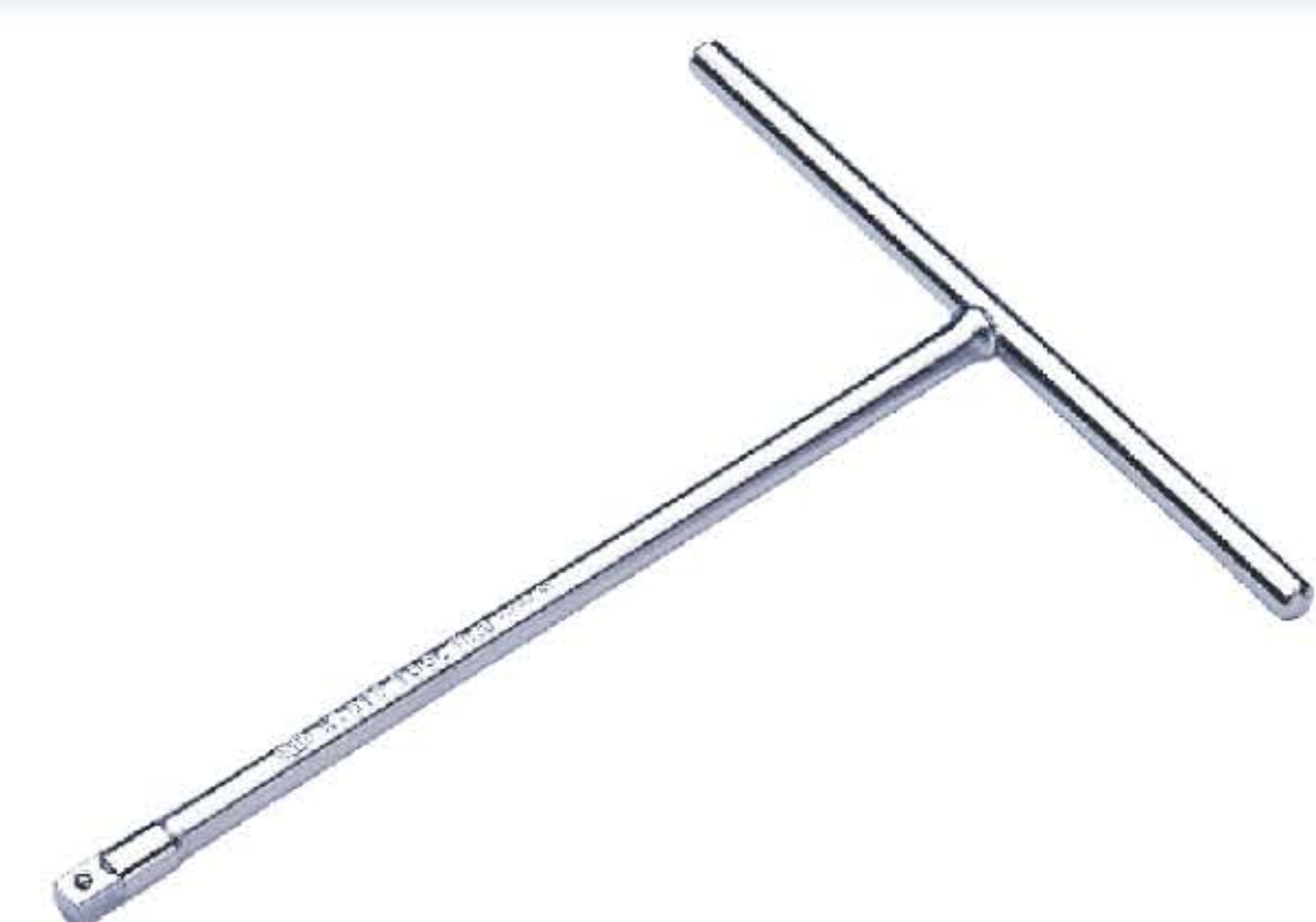
Made of heat treated alloy steel, chrome plated.



KTC WHEEL NUT WRENCH - Japan

Stock No.	Item	Size (4pt x 6pt) (mm)	Length (mm)	Handle Ø x Length (mm)
005-490-1732	WH	17 x 32	330	25 x 600
005-490-1735	WH	17 x 35	330	25 x 600
005-490-1941	WH	19 x 41	435	25 x 600
005-490-2038	WH	20 x 38	440	25 x 600
005-490-2138	WH	21 x 38	440	25 x 600
005-490-2141	WH	21 x 41	440	25 x 600
(6pt x 6pt)				
005-491-2123	WH	21 x 23	220	16 x 300
005-491-2127	WH	21 x 27	220	16 x 300
005-491-2226	WH	22 x 26	220	16 x 300

Made of heat-treated alloy steel, chrome plated.



KTC 3/8" T-SHAPE WRENCH - Japan

Stock No.	Item	Length x Handle (mm)	Box
005-481-20	TH20	250 x 200	10

Made of chrome vanadium steel, for heavy duty. Chrome plated. TH20 can be used on 3/8" Dr Socket.



KTC FLAT CHISEL - Japan

Stock No.	Item	Dia x L (mm)	Box
010-017-25	TAG - 25 x 170	25 x 170	10
010-017-26	TAG - 26 x 220	26 x 220	10

Hardened alloy steel, black oxide finish, rubber stopper for TAG - 26 x 220.



KTC KNOCK PIN PUNCH SET - Japan

Stock No.	Item	Description
010-027-80	PK8	8 pcs set
Item	Size (mm)	Length (mm)
PK2125	2	125
PK3135	3	135
PK4185	4	185
PK45185	4.5	185
PK5190	5	191
PK6207	6	207
PK7212	7	212
PK8217	8	217

Made of special alloy steel, chrome vanadium, chrome-plated.



KTC RUBBER MALLET - Japan

Stock No.	Item	Size (gm)	Dia (mm)	O/L (mm)	Box
011-208-81220	UD4-10	450	60	330	1

High Grade rubber head is securely pressure fitted on a hickory handle.



KTC SMALL FILE - Japan

Stock No.	Item	Description	Box	
011-005-105	TZKF105	5 pc set	10	
File	Type	Cut	Length	Width (mm)
ZKF1-2H	Flat	Medium	220mm	
ZKF1-2HR	Half Round	Medium	220mm	
ZFK1-2R	Round	Medium	220mm	
ZFK1-2S	Square	Medium	220mm	
ZFK1-2T	Triangle	Medium	220mm	

Made of high carbon steel with handle.



KTC ENGINEER'S FILE - Japan

Stock No.	Item	Length (mm)	Box
011-007-221	ZKF2-2H (Flat)	250	5
011-007-222	ZFK2-2HR (1/2 Rd)	250	5
011-007-223	ZFK2-2R (Round)	250	5
011-007-200	ZFK2-HR (Handle)	115	10

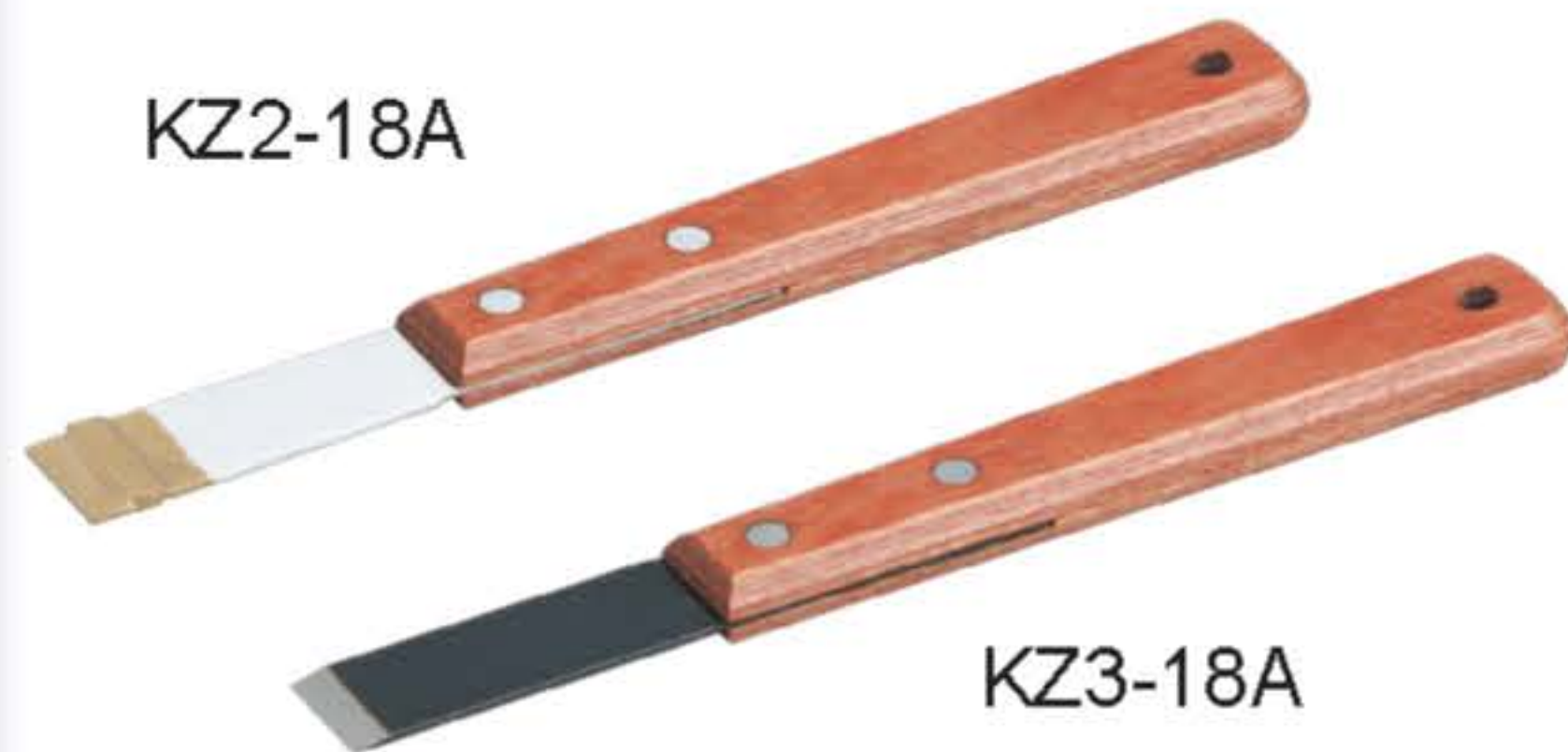
Made of high carbon steel.



KTC RATCHET PIPE CUTTER & SPARE BLADE - Japan

Stock No.	Item	Description
009-236-35	PCR2-35	15.88-35mm w/copper blade
009-236-66	PCR2-66	35-66mm w/copper blade
Spare Blade		
009-236-901	PCRK-F	For copper
009-236-902	PCRK-S	For stainless steel

Made of heat treated alloy steel body, high carbon steel blade.



KTC HIGH GRADE SCRAPER - Japan

Stock No.	Item	Size (mm)	Length (mm)	Box
010-098-218	KZ2-18A	18	180	5
010-098-318	KZ3-18A	18	180	5
010-098-232	KZ232A	2 pcs set of the above		

For scraping heat-hardened gasket for clean finishing.



KTC CERAMIC SCRAPER - Japan

Stock No.	Item	Size (mm)	Length (mm)	Box
010-099-412	KZ4-12	11	145	5
010-099-418	KZ4-18	18	175	5

Both sides of the blade can be used. For scraping and finishing the surface of automotive engines and gasket of industrial machineries, etc.



KTC STAINLESS STEEL SCRAPER - Japan

Stock No.	Item	Blade (mm)	O.L. (mm)	Box
010-100-10	KZ1-10	10	165	5
010-100-15	KZ1-15	15	170	5
010-100-22	KZ1-22	22	180	5
010-100-30	KZ1-30	30	180	5

For multi purpose.



KTC STICKER SCRAPER & SPARE BLADE - Japan

Stock No.	Item	Blade (mm)	O.L. (mm)	Box
010-101-25	KZSS-25	40	150	10
010-101-2510	KZS-2510	10 pcs blade		10
010-101-40	KZS-40	40	155	10
010-101-4010	KZS-4010	10 pcs blade		10

For speedy neat and safe sticker scraping.



KTC SIDE CUTTING PLIER - Japan

Stock No.	Item	Size	Cutting Capacity (mm)	Box
008-202-150	SPD-150C	6"	2.15	10
008-202-175	SPD-175C	7"	2.75	10
008-202-200	SPD-200C	8"	3.40	10

Heat-treated alloy steel, chrome-plated, JIS standard, vinyl-coated handle (no insulation).



KTC ROUND NOSE PLIER - Japan

Stock No.	Item	Size	Capacity (Ømm)	Box
008-206-1501	PSL-150	6"	Soft Wire 2.0 Hard Wire 1.6	5

Heat-treated alloy steel, chrome-plated.



KTC LONG HOSE PLIER - Japan

Stock No.	Item	L (mm)	Type	Ø (mm)	Box
008-227-305	PS6-305	280	Angle: 65°	19	5
008-227-306	PS6-306	280	Angle: 65°	13	5
008-227-307	PS6-307	290	Str. 64mm	19	5
008-227-308	PS6-308	290	Str. 67mm	13	5

Made of heat-treated alloy steel, chrome plated blade, vinyl coated handles.



KTC LONG PLIER - Japan

Stock No.	Item	L (mm)	Type	Ø (mm)	Box
008-228-301	PS6-301	260	Str. 38mm	-	5
008-228-302	PS6-302	295	Str. 72mm	-	5
008-228-303	PS6-303	255	Angle: 30°	-	5
008-228-304	PS6-304	290	Angle: 45°	-	5

Made of heat-treated alloy steel, chrome plated blade, vinyl coated handles.



KTC PINCH OFF PLIER - Japan

Stock No.	Item	Length (mm)	Opening (mm)	Wt (g)
008-231-57	PSA57	233	50	340

Made of heat-treated alloy steel, vinyl coated handle. Useful in blocking cooling liquid hoses; blockage of brake hose when removing strut, ATF hose when removing/attaching AT, vacuum hose when inspecting auxiliaries at deceleration, fuel hose when replacing fuel filters; fuel hoses or oil hoses in motorcycles.



KTC HOSE CLIP PLIERS - Japan

Stock No.	Item	Length (mm)	Capacity (Ømm)
008-420-92	AE92	210	12-47

For removing and installing hose clips.



KTC NEEDLE NOSE PLIER - Japan

Stock No.	Item	Size	Capacity (Ømm)	Box
008-206-2001	PSL-200L	8"	Soft Wire 2.0 Hard Wire 1.6	5

Heat-treated alloy steel, chrome-plated.

45° Bent



KTC BENT NOSE PLIER - Japan

Stock No.	Item	Size	Capacity (Ømm)	Box
008-207-150	PSL-150BN	8"	Soft Wire 2.0 Hard Wire 1.6	5

Heat-treated alloy steel, chrome-plated.

60° Bent



KTC BENT NOSE PLIER - Japan

Stock No.	Item	Size	Capacity (Ømm)	Box
008-207-2001	PSL-200BN1	8"	Soft Wire 2.0 Hard Wire 1.6	5

Heat-treated alloy steel, chrome-plated. 60° bent nose for long reach.



KTC DIAGONAL CUTTING PLIER - Japan

Stock No.	Item	Size	Capacity (Ømm)	Box
008-208-1251	PN1-125	5"	Soft Wire 2.3 Hard Wire 1.6	5
008-208-1501	PN1-150	6"	Soft Wire 2.6 Hard Wire 2.0	5
008-208-1751	PN1-175	7"	Soft Wire 2.6 Hard Wire 2.0	5
008-208-2001	PN1-200	8"	Soft Wire 2.9 Hard Wire 2.3	5

Heat-treated alloy steel, chrome-plated. 60° bent nose for long reach.



KTC COMBINATION PLIER - Japan

Stock No.	Item	Size	Capacity (Ømm)	Box
008-215-150	PJ-150	6"	2.0	5
008-215-200	PJ-200	8"	2.6	5
008-215-250	PJ-250	10"	3.5	5

Heat-treated alloy steel, chrome plated, soft grip handle. A safe design that prevents the hand from getting jammed when changing to the wide-sized width. Each blade of the "three stages form" allows the tool to grasp thin and thick objects.



KTC HEAVY-DUTY WATERPUMP PLIER - Japan

Stock No.	Item	Size	Jaw Capacity	Box
008-358-250	WPD1-250	10"	32mm	10
008-358-300	WPD1-300	12"	50mm	5

Made of alloy steel, forged, heat-treated, chrome plated.



KTC NEEDLE NOSE PLIER - Japan

Stock No.	Item	Size	Capacity (Ømm)	Box
008-206-2001	PSL-200L	8"	Soft Wire 2.0 Hard Wire 1.6	5

Heat-treated alloy steel, chrome-plated.

45° Bent



KTC BENT NOSE PLIER - Japan

Stock No.	Item	Size	Capacity (Ømm)	Box
008-207-150	PSL-150BN	8"	Soft Wire 2.0 Hard Wire 1.6	5

Heat-treated alloy steel, chrome-plated.

60° Bent



KTC BENT NOSE PLIER - Japan

Stock No.	Item	Size	Capacity (Ømm)	Box
008-207-2001	PSL-200BN1	8"	Soft Wire 2.0 Hard Wire 1.6	5

Heat-treated alloy steel, chrome-plated. 60° bent nose for long reach.



KTC DIAGONAL CUTTING PLIER - Japan

Stock No.	Item	Size	Capacity (Ømm)	Box
008-208-1251	PN1-125	5"	Soft Wire 2.3 Hard Wire 1.6	5
008-208-1501	PN1-150	6"	Soft Wire 2.6 Hard Wire 2.0	5
008-208-1751	PN1-175	7"	Soft Wire 2.6 Hard Wire 2.0	5
008-208-2001	PN1-200	8"	Soft Wire 2.9 Hard Wire 2.3	5

Heat-treated alloy steel, chrome-plated. 60° bent nose for long reach.



KTC COMBINATION PLIER - Japan

Stock No.	Item	Size	Capacity (Ømm)	Box
008-215-150	PJ-150	6"	2.0	5
008-215-200	PJ-200	8"	2.6	5
008-215-250	PJ-250	10"	3.5	5

Heat-treated alloy steel, chrome plated, soft grip handle. A safe design that prevents the hand from getting jammed when changing to the wide-sized width. Each blade of the "three stages form" allows the tool to grasp thin and thick objects.



KTC HEAVY-DUTY WATERPUMP PLIER - Japan

Stock No.	Item	Size	Jaw Capacity	Box
008-358-250	WPD1-250	10"	32mm	10
008-358-300	WPD1-300	12"	50mm	5

Made of alloy steel, forged, heat-treated, chrome plated.



KTC INTERNAL/EXTERNAL SNAP RING PLIER - Japan

Stock No.	Item	Ø (mm)	Capacity (mm)	Length (mm)	Box
008-060-130	SOCP-130	1.2	10-40	145	6

Drop forged steel, black finish, spring-loaded and plastic coated handle.



KTC SNAP RING PLIER - Japan

Stock No.	Item	Ø (mm)	Capacity (mm)	Length (mm)	Box
-----------	------	--------	---------------	-------------	-----

Int Str.

008-062-1715	SCP-1715	1.5	10-34	185	10
008-062-171	SCP-171	2.0	19-40	185	10

Ext Str.

008-063-1715	SOP-1715	1.5	10-20	180	10
008-063-171	SOP-171	2.0	19-40	180	10

Int Bent

008-064-172	SCP-172L	1.2	10-34	165	10
-------------	----------	-----	-------	-----	----

Ext Bent

008-065-172	SOP-172	2.0	10-20	170	10
-------------	---------	-----	-------	-----	----

Drop forged steel, black finish, spring-loaded and vinyl coated handle.



KTC LONG SNAP RING PLIER - Japan

Stock No.	Item	Ø (mm)	Capacity (mm)	Length (mm)	Box
-----------	------	--------	---------------	-------------	-----

Int Str.

008-062-1711	SCP-1711LL	1.2	10-34	220	10
--------------	------------	-----	-------	-----	----

Ext Str.

008-063-1711	SOP-1711LL	1.2	10-20	215	10
--------------	------------	-----	-------	-----	----

Int Bent

008-064-1721	SCP-1721LL	1.2	10-34	175	10
--------------	------------	-----	-------	-----	----

Ext Bent

008-065-1721	SOP-1721LL	1.2	10-20	170	10
--------------	------------	-----	-------	-----	----

Drop forged steel, black finish, spring-loaded and vinyl coated handle.



KTC FLAT TIP EXTERNAL SNAP RING PLIER - Japan

Stock No.	Item	Ø	Capacity (mm)	Length (mm)	Box
008-066-173	SOP-173	Flat	10-20	170	10

Drop forged steel, black finish, spring-loaded and vinyl coated handle.



KTC SPARE TIPS - Japan

Stock No.	Item	Size (mm)	Length (mm)	Box
008-067-0236	SPC-110	Str Ø 2.0	36	10
008-067-0246	SPC-110L	Str Ø 2.0 (long)	46	10
008-067-01536	SPC-0110	Str Ø 1.5	36	10
008-067-01546	SPC-0110L	Str Ø 1.5 (long)	46	10
008-067-0234	SPC-210	Bent Ø 2.0	34	10
008-067-01534	SPC-0210	Bent Ø 1.5	34	10
008-067-03136	SPC-0310	Flat	36	10
008-067-05	SPC-5	Str. Ø1.5x46, Ø2.0x46. Flat, Bent-Ø1.5, Ø2.0. (1 pair)		10

Drop forged steel, black finish tips.





KTC INSERT CHANGEABLE FLAT RATCHET SCREWDRIVER - Japan

Stock No.	Item	O.L (mm)	Box
007-218-22	RM-22	109	10

1 pc bit (+)#2 x 22mm

Made of chrome vanadium steel, chrome-plated with one bit.



KTC INSERT CHANGEABLE FLAT RATCHET SCREWDRIVER SET - Japan

Stock No.	Item	O.L (mm)	Box
007-218-68	TMDB8	109	1

3 pcs bits (+)#2 x 22, #2 x 30, #3 x 25mm
3 pcs Hex bit 4, 5, 6mm

Made of chrome vanadium steel, chrome-plated with bits.



KTC IMPACT DRIVER SET - Japan

Stock No.	Description	Box	Weight (kg)
007-194-06	Item SD6	1	1.1

Contents: SD30-B Body 142.5mm. 3pcs Flat bits (-) 1.0, 1.6, 1.8 x 80mm.

3pcs Cross bits #1 #2, #3x80mm. SD30-8H 1/2" Dr bit holder 36mm. Metal Case: 170 x 50 x 33mm

Made of Chrome Vanadium Steel. Each part is hardened and precisely machined for better durability. Suitable for loosening tightly fastened nuts or rusted bolts.



KTC EXTERNAL SNAP RING PLIER FOR GEARSHAFT - Japan

Stock No.	Item	Capacity (mm)	Length (mm)	Box
008-068-4031	AS403A	3-25	168	10
008-068-4032	AS403B	2.8-25	168	10

Useful in the removal and installation of snap-rings without grips that aid removal.

AS403A- standard snap ring without removal aid. Working with narrow rings in openings is easier as the tip of the claw is of a thin design.

AS403B- Special tool designed for Honda snap rings that are fitted in narrow openings with their gripping areas placed on an angle.



KTC SNAP RING PLIER FOR HUB - Japan

Stock No.	Item	Capacity (mm)	Length (mm)	Box
008-069-307	AS307	10-36	228	5

Used for installing and removing snap ring used in hub of vehicles. Employs a non-stepped, automatic locking device. Can be locked to the desired position. Only the claw can be easily replaced. All models except the hole fitted snap ring type, can deal with notched type rings designed for certain models (Toyota).

KTC STUBBY SCREWDRIVER - Japan



Stock No.	Item	Blade (mm)	H Ø x O.L (mm)	Box
007-080-0626	SD1-M	6 x 26	32 x 72	10
007-080-226	SD1-P	#2 x 26	32 x 72	10
007-080-326	SD1-3P	#3 x 26	32 x 72	10

Transparent plastic handle, chrome vanadium steel, black finish blades.

KTC MINI STUBBY SCREWDRIVER - Japan



Stock No.	Item	Blade (mm)	H Ø x O.L (mm)	Box
007-082-0620	SD3-M	6 x 20	29 x 40	10
007-082-220	SD3-P	#2 x 20	29 x 40	10

Transparent plastic handle, chrome vanadium steel, black finish blades.

KTC SHORT STUBBY SCREWDRIVER - Japan



Stock No.	Item	Blade (mm)	H Ø x O.L (mm)	Box
007-083-215	SD4-P	#2 x 15	40 x 30	10

Plastic handle, chrome vanadium steel, chrome plated blades.

KTC TORQUE SCREWDRIVER - Japan



Stock No.	Item	Hex Dr	Torque Range	Graduation	Length (mm)
007-146-080	GDP-080	1/4"	0.16-0.8 Nm	0.01Nm	140
007-146-200	GDP-200	1/4"	0.40-2.0 Nm	0.02Nm	159
007-146-450	GDP-450	1/4"	0.90-4.5 Nm	0.05Nm	171

Made of chrome vanadium steel.
Accuracy ± 6% (EN ISO 6789)

KTC NUT DRIVER - Japan



Chrome-plated blade, plastic handle, center of the shaft has a 7mm square cross section for applying a larger torque by using an open end or adjustable screwdriver.

Stock No.	Item	Size (mm)	H Ø x O.L (mm)	Box
007-155-07	ND-7	7	29 x 200	10
007-155-08	ND-8	8	34 x 215	10
007-155-09	ND-9	9	29 x 200	10
007-155-10	ND-10	10	34 x 215	10
007-155-11	ND-11	11	29 x 200	10
007-155-12	ND-12	12	29 x 200	10



Chrome-plated blade, plastic handle, can be used with 12mm spanner or adjustable wrench to produce higher torque

KTC FLEX NUT DRIVER - Japan

Stock No.	Item	Size (mm)	H Ø x O.L (mm)	Box
007-156-08	NDF-8H	8	35 x 290	10
007-156-10	NDF-10H	10	35 x 290	10
007-156-12	NDF-12H	12	35 x 290	10
007-156-14	NDF-14	14	35 x 290	10

KTC WOODEN HANDLE SCREWDRIVER - Japan



Through type wooden handle for hammering. CRV steel, chrome-plated blades.

Stock No.	Item	Blade (mm)	H Ø x O.L (mm)	Box
007-056-04502	MD-50	4.5 x 50	24 x 145	10
007-056-05503	MD-75	5.5 x 75	24 x 170	10
007-056-0604	MD-100	6 x 100	28 x 220	10
007-056-0705	MD-125	7 x 125	33 x 260	10
007-056-0806	MD-150	8 x 150	33 x 285	5
007-056-0908	MD-200	9 x 200	34 x 350	5
007-056-0910	MD-250	9 x 250	34 x 400	5
007-056-0912	MD-300	9 x 300	34 x 450	5
007-056-103	PD-1	#1 x 75	24 x 170	10
007-056-204	PD-2	#2 x 100	28 x 220	10
007-056-306	PD-3	#3 x 150	33 x 285	5
007-056-408	PD-4	#4 x 200	34 x 350	5

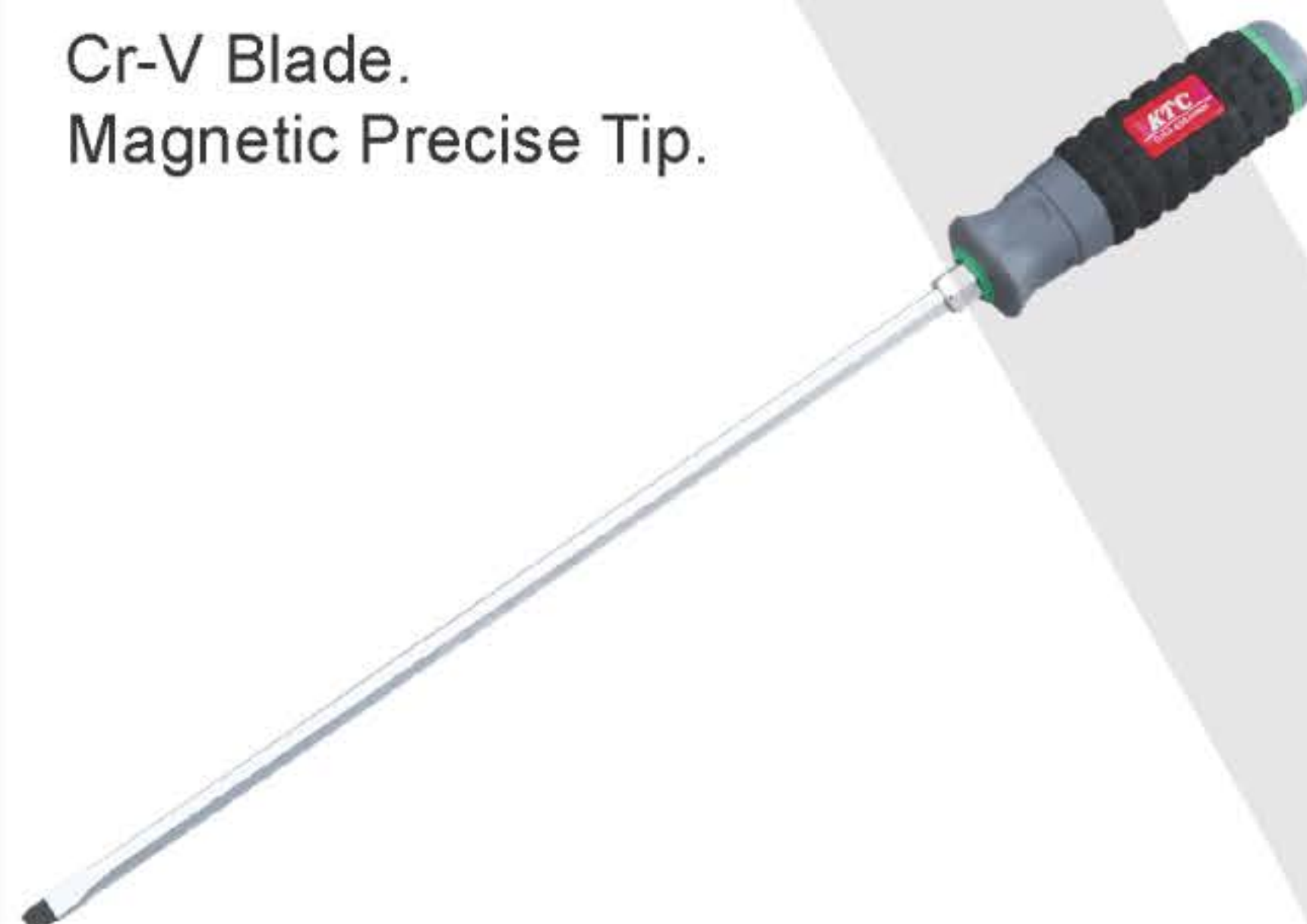
KTC SOFT GRIP SCREWDRIVER - Japan



Comfortable bi material handles. Special alloy steel blade. Hardened magnetized tips.

Stock No.	Item	Blade (mm)	H Ø x O.L (mm)	Box
007-073-05503	D1M2-5	5.5 x 75	29.6 x 170	10
007-073-0604	D1M2-6	6 x 100	32 x 210	10
007-073-0806	D1M2-8	8 x 150	33.8 x 280	5
007-073-103	D1P2-1	#1 x 75	29.6 x 170	10
007-073-204	D1P2-2	#2 x 100	32 x 210	10
007-073-306	D1P2-3	#3 x 150	33.8 x 280	5
007-073-818	TPMD18 : (-)5.5x75, 6x100, 8x150mm (+)#1x75, #2x100, #3x150mm Stubby (-)6x25, (+)#2x25mm			

Cr-V Blade.
Magnetic Precise Tip.



KTC LONG REACH SCREWDRIVER - Japan

Stock No.	Item	Blade (mm)	H Ø x O.L (mm)	Box
007-074-05512	D1M2-530	5.5 x 300	29.6 x 400	5
007-074-0612	D1M2-630	6 x 300	32 x 410	5
007-074-0812	D1M2-830	8 x 300	33.8 x 430	5
007-074-112	D1P2-130	#1 x 300	29.6 x 400	5
007-074-212	D1P2-230	#2 x 300	32 x 410	5
007-074-312	D1P2-330	#3 x 300	33.8 x 430	5

Cr-V Blade.
Magnetic Precise Tip.



KTC STUBBY SCREWDRIVER - Japan

Stock No.	Item	Blade (mm)	H Ø x O.L (mm)	Box
007-079-0625	D1MS-6	6 x 25	35.5 x 75	10
007-079-225	D1PS-2	#2 x 25	35.5 x 75	10



KTC BRUSH - Japan

Stock No.	Item	Wire Dia x Brush Width x Brush Length (mm)	O.L. (mm)	Brush (material)	Handle (material)	Box
011-145-112	YTBR-112	0.30 x 15 x 85 (wire)	270	Steel	Wood	10
011-145-122	YTBR-122	0.25 x -- x 67 (wire)	260	Steel	Steel	10
011-145-1221	YTBR-1221	0.25 x -- x 65 (wire)	215	Steel	Steel	10
011-145-1222	YTBR-1222	0.25 x -- x 85 (wire)	235	Steel	Steel	10
011-145-132	YTBR-132	0.30 x 30 x 90 (wire)	230	Steel	Wood	10
011-145-142	YTBR-142	0.30 x 50 x 110 (wire)	130	Steel	Wood	10
011-145-212	YTBR-212	0.14 x 17 x 75 (wire)	240	Brass	Wood	10
011-145-311	YTBR-311	-- x 9 x 38 (wool)	200	Pig Hair	Bamboo	10
011-145-312	YTBR-312	-- x 10 x 62 (wool)	295	Pig Hair	Bamboo	10
011-145-323	YTBR-323	-- x 15 x 62 (wool)	315	Pig Hair	Bamboo	10
011-145-422	YTBR-422	-- x -- x 65 (wood)	260	Palm	Steel	10



KTC PLASTIC HAMMER - Japan

Stock No.	Item	Dia	Head Length	O.L.	Box
011-200-96	K9-6	32mm	110mm	310mm	5

For use on metal and other hard materials where rebound and non-marring properties are a necessity.



KTC BALL PEIN HAMMER - Japan

Stock No.	Item	Size (lb)	Dia (mm)	O.L. (mm)	Box
011-202-45323	PH45-323	1.0	30	310	5
011-202-68344	PH68-344	1.5	35	335	5

Extra-high grade type with plated tubular steel handle and comfortable non-slip rubber grip. Head is securely fixed through with a pin tag for dual safety. Drop-forged head with hardened face and pein which are beautifully polished. A truly professional, well-balanced hammer.



KTC COMBINATION HAMMER - Japan

Stock No.	Item	Size (lb)	Head L (mm)	O.L. (mm)	Box
011-203-710	UD7-10	1.0	114	315	1

Head Diameter is 30mm for metal portion and 32mm for plastic portion.

AS401



KTC RATCHET BOOTS BAND TOOL WITH CUTTER - Japan

Stock No.	Item	L (mm)
013-130-401	AS401	160

Made of heat-treated alloy steel for fastening/cutting of the band fixing joint boot of driveshaft, applicable for mini to compact cars' boot bands. Ratchet mechanism ensures effective winding of the band in a single action.

KTC 3/8" BOX END OIL FILTER WRENCH - Japan



AVSA12A



Made of aluminium alloy. chrome plated.
Individual sizes in printed box; sets in metal case.

AVSA-063 to AVSA-125 fits:
Toyota, Nissan, Mitsubishi, Honda, Mazda, Daihatsu, Subaru, Isuzu, Suzuki.

AVSA-075 to AVSA-C95 fits:
VW, Audi, Opel, BMW, Porsche, Mercedes, Peugeot, Citroen, Renault, Lancia, Alfa Romeo, Ferrari, Serve, GM, Ford, Fiat, SAAB, Chrysler, Rover, Jaguar.

AVSA-101B to AVSA-118B fits:
Toyota, Nissan, Nissan Diesel, Mitsubishi, Daihatsu, Mazda, Hino, Isuzu.

Stock No.	Item	Size/Flute	Outside Ø (mm)	Height (mm)	Box
For Japanese and European Cars					
013-001-063	AVSA-063	63/14	72	35	10
013-001-064	AVSA-064	64/14	72	35	10
013-001-067	AVSA-067	66.5/14	74	35	10
013-001-073	AVSA-073	72.5/14	80	35	10
013-001-074	AVSA-074	74/14	82	35	10
013-001-0741	AVSA-074C	74C/14	82.5	50.5	10
013-001-079	AVSA-079	79/15	86	40	10
013-001-080	AVSA-080	79.5/15	86	40	10
013-001-086	AVSA-086	86/16	95	46.5	10
013-001-089	AVSA-089	89/15	96	40	10
013-001-092	AVSA-092	92/15	99	40	10
013-001-095	AVSA-095	94.5/15	102	45	10
013-001-099	AVSA-099	99/15	106	45	10
013-001-101	AVSA-101	100.5/15	108	45	10
013-001-125	AVSA-125B	125/18	142	70	10

For European Cars					
013-002-075	AVSA-075	75/15	81	35	10
013-002-076	AVSA-076	76/15	82	35	10
013-002-087	AVSA-087	87/16	96	68	10
013-002-074	AVSA-A74	A74/15	81	35	10
013-002-0751	AVSA-A75	A75/30	82	35	10
013-002-093	AVSA-A93	A93/36	100	40	10
013-002-0761	AVSA-B76	B76/12	83	35	10
013-002-086	AVSA-B86	B86/18	93	40	10
013-002-0762	AVSA-C76	C76/8	86	35	10
013-002-095	AVSA-C95	C95/10	103	40	10

For Truck					
013-003-101	AVSA-101B	101/15	117	64	10
013-003-106	AVSA-106B	106/16	124	64	10
013-003-108	AVSA-108B	108/16	125	66	10
013-003-110	AVSA-110B	110/17	125	68	10
013-003-118	AVSA-118B	118/16	135	68	10

Set		
013-005-05	AVSA5	5pcs: AVSA101B, 106B, 108B, 110B, 118B.
013-005-08	AVSA08A	8pcs: AVSA064, 067, 073, 079, 080, 095, 099, 101.
013-005-12	AVSA12A	12pcs: AVSA063, 064, 067, 073, 074, 079, 080, 089, 092, 095, 099, 101.



FF-8095

KTC ADJUSTABLE OIL FILTER CATRIDGE WRENCH - Japan

Stock No.	Item	Capacity (mm)	Box
013-009-8095	FF-8095	80-95	10
013-009-90110	FF-90110	90-110	10

Chrome Vanadium Steel, chrome plated.



KTC PITMAN ARM PULLER - Japan

Stock No.	Item	Capacity (mm)	Bolt L (mm)	Box
012-096-3747	PAU-3747	37-47	166	1

Chrome Vanadium steel, black finish. Pulls pitman arm off centre shaft easily, a cord supplied for tying to prevent the puller from falling off, for mini & compact cars, trucks & tractors.



KTC ARMATURE BEARING PULLER - Japan

Stock No.	Item	Capacity (mm)	Box
012-098-1935	ABU-1935	19-35	1
012-098-3262	ABU-3262	32-62	1

Chrome Vanadium steel, black finish. For generators & alternators with built in cooling fans. ABU-1935: For removing armature bearings of reduction type starter motor, power tools, cleaner, etc. ABU-3262: For mini cars to big sized cars.



KTC PILOT BEARING & BUSH PULLER - Japan

Stock No.	Item	Capacity (mm)	Box
012-100-1219	PBU-1219	12-19	10

Chrome Vanadium steel, black finish. For use on transmission. Applicable to many types of cars.



KTC TIE ROD END SEPARATOR - Japan

Stock No.	Item	Length (mm)	Width (mm)	Height (mm)	Box
012-105-201	AS-201	135	55	116	1

Chrome Vanadium Steel, black finish.

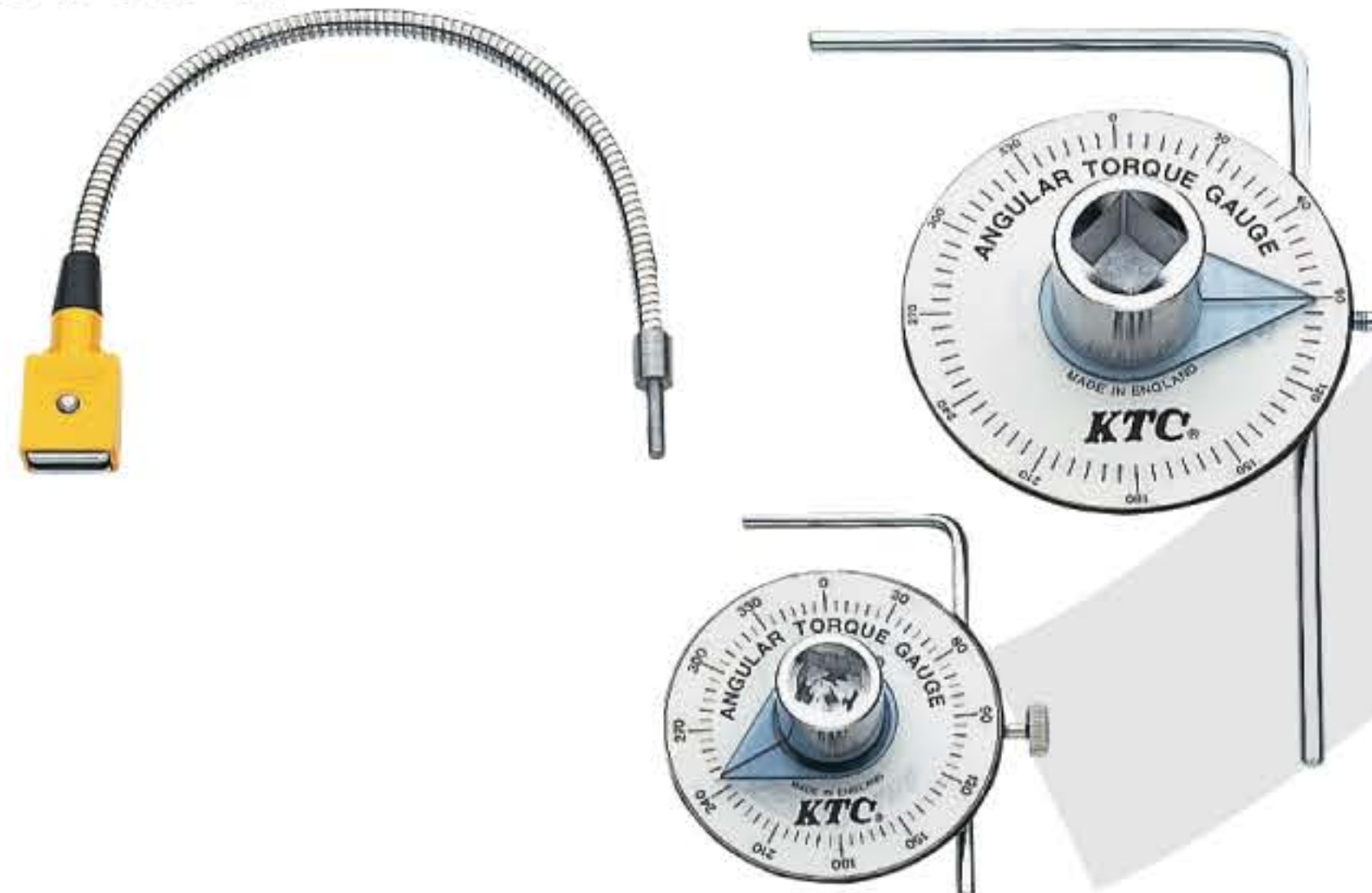


KTC BALL JOINT SEPARATOR (OFFSET TYPE) - Japan

Stock No.	Item	Length (mm)	Width (mm)	Height (mm)	Box
012-106-202	AS-202A	165	70	160-200	1

Chrome Vanadium Steel, black finish.

ATG30/40



KTC ANGULAR TORQUE GAUGE - Japan

Stock No.	Item	Dr.	Outside Ø (mm)	Height (mm)	Length (mm)
013-079-30	ATG30	1/2"	78.5	55	97
013-079-40	ATG40	3/4"	105	76	190

Made of fine alloy steel, heat-treated, chrome plated. Measures fastening angles of specified angle fastening bolts.



ATP11

KTC CLIP CLAMP TOOL WITH PRY UP TIP - Japan

Stock No.	Item	Size (mm)	O.L. (mm)	Box
013-026-06	AP20-6	6	235	10
013-026-10	AP20-10	10	235	10
013-026-13	AP20-13	13	240	10
013-026-101	AP20L-10	10	505	10
013-026-131	AP20L-13	13	505	10
013-027-06	AP20-6B	6	270	10
013-027-10	AP20-10B	10	270	10
013-027-13	AP20-13B	13	270	10
013-027-101	AP20L-10B	10	505	10
013-027-131	AP20L-13B	13	505	10
013-027-200	AP20L-P	-	490	10
013-027-211	ATP-11	11 pc set of the above.		

Plastic handle. Chrome plated steel blade. For removing vehicle trim panels, upholstery, boot and roof liners, etc. without damage; essential when servicing door locks and window mechanisms or replacing door skins and (bodywork) repairs.

CCP-190



AP201-10A

KTC CLIP CLAMP TOOL SET - Japan

Stock No.	Item	Length (mm)	Box
013-028-190	CCP-190	190	1
013-028-02	ATP2012	2 pcs set of AP201-10A, CCP-190	

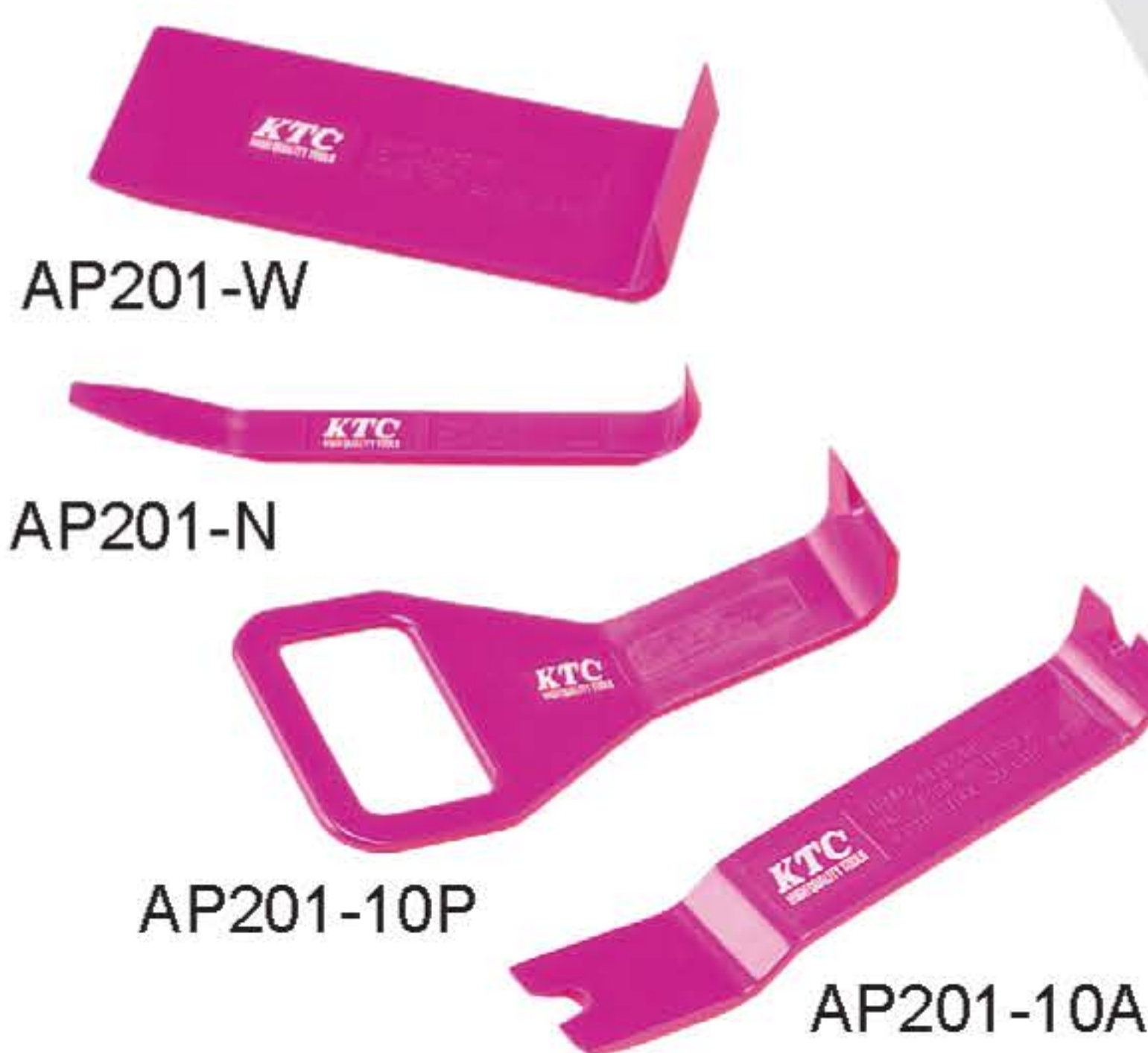
CCP-190 is made of heat-treated alloy steel; removes clips & clamps. Warning: Keep away from organic solvent

AP201-W

AP201-N

AP201-10P

AP201-10A



KTC HANDY REMOVER TOOL - Japan

Stock No.	Item	Size (mm)	Box
013-029-2011	AP201-10A	L180xW30xH31	5
013-029-2012	AP201-10P	L160xW75-30xH40	5
013-029-2013	AP201-N	L160xW15xH30	10
013-029-2014	AP201-W	L160xW60xH35	5
013-029-240	ATP2014	4 pcs set of the above	

Made of special durable plastic, colour painted; remove clips, clusters, glued parts on the cars.

ATP2022



KTC CLIP CLAMP PLIER - Japan

Stock No.	Item	Length (mm)	Box
013-031-2021	AP202A	196	5
013-031-2022	AP202B	196	5
013-031-220	ATP2022	2 pcs set of the above	

Made of heat-treated alloy steel, plastic handle.

ABX-31



KTC C-WASHER TOOL - Japan

Stock No.	Item	Length (mm)	Box
013-238-31	ABX-31	203	10

Made of heat-treated alloy steel. For removing/installing "C" washer quickly.

AB-7



ABX-35

KTC TENSION SPRING TOOL - Japan

Stock No.	Item	Length (mm)	Box
013-240-07	AB-7	153	1
013-240-35	ABX-35	265	10

Made of heat-treated alloy steel.
AB-7 is for disassembling tension spring for drum brakes.
ABX-35 is for installing tension spring for drum brakes.

AB-5



KTC SCREWDRIVER FOR BRAKE DRUM SCREW - Japan

Stock No.	Item	Size	Length (mm)	Box
013-241-05	AB-5	#3	270	1

Made of heat-treated alloy steel. For removing/installing brake drum bis and door hinge bolts.

AB-11



KTC DISC BRAKE SPREADER - Japan

Stock No.	Item	Length (mm)	Handle L (mm)	Box
013-242-11	AB-11	122	125	1

Made of heat-treated alloy steel. For pushing in disc brake piston (single piston type). Cannot be used on brake calipers combined with parking brakes.

ABX-33



ABX-34

KTC SHOE-HOLD SPRING CUP TOOL - Japan

Stock No.	Item	Tip Ø (mm)	Length (mm)	Blade L (mm)	Box
013-243-33	ABX-33	10	195	75	10
013-243-34	ABX-34	24	205	85	10

Made of fine alloy steel, heat treated, plastic handle. For disassembling/installing shoe hold spring for drum brake..

ABO-100



KTC SEAL PICK TOOL - Japan

Stock No.	Item	Blade L (mm)	O.L (mm)	Box
013-244-100	ABO-100	100	187	1

Made of fine alloy steel, heat treated, chrome plated. For removing "O" ring, and peeling off seal from disc brake.

MZ25-10H



BZ25-10H

KTC BRAKE PIPE TOOL - Japan

Stock No.	Item	Length (mm)	Box
013-245-25101	BZ25-10H	54	1
013-245-25102	MZ25-10H	40	1

Made of fine alloy steel, heat treated, chrome plated. For fastening/loosening flare nuts (union nuts) of brake and clutch systems of light cars to small trucks (2t). Use with 3/8" Dr handle.

CG617



KTC CLUTCH ALIGNING TOOL SET - Japan

Stock No.	Item	Box
013-132-617	CG617	1

Contents:
Attachment: 16, 17, 17.8, 20, 21.1, 22.9, 24.3mm
Guide, Center shaft.

Made of heat-treated alloy steel. Metal Case: 185 x 95 x 65mm.

CG67



KTC CLUTCH ALIGNING TOOL SET - Japan

Stock No.	Item	Box
013-134-67	CG67	1

Contents:
Attachment: 10, 12, 14, 15, 16, 17mm
Guide, Center shaft.

Made of heat-treated alloy steel. Metal Case: 265 x 65 x 40mm.

AE901



KTC ENGINE HANGER FOR IMPACT-ABSORBING BODIES - Japan

Stock No.	Item	Capacity (kgf)	Weight (kg)	Box
013-150-10	AE901	250	16	1

Made of heat treated alloy steel.

Usage: For lifting and hanging automobile engine block.

Application: For engines in FF minicars and passenger cars. Max. Load: < 2450N (250kgf).

Features:

- Suitable for the impact absorption car bodies that have become increasingly common.
- Stable setting, parallel to the ground is possible even for cars with angled or sloping fenders.
- Suitable for cars with short fender ribs and cars in which other hangers cannot be set between.
- The car body can be moved, lifted or lowered while the hanger supports the engine.
- As the bridge can be set at an angle, belt exchange and other operations can be carried out from above by swinging the bridge aside.
- The winch is attached last. The winch handle can be easily switched between left and right of the winch, giving freedom of position.
- Even with the car body on a hoist, winch can be operated at a distance using the chain wheel.



AS10

KTC STRUT SPRING COMPRESSOR - Japan

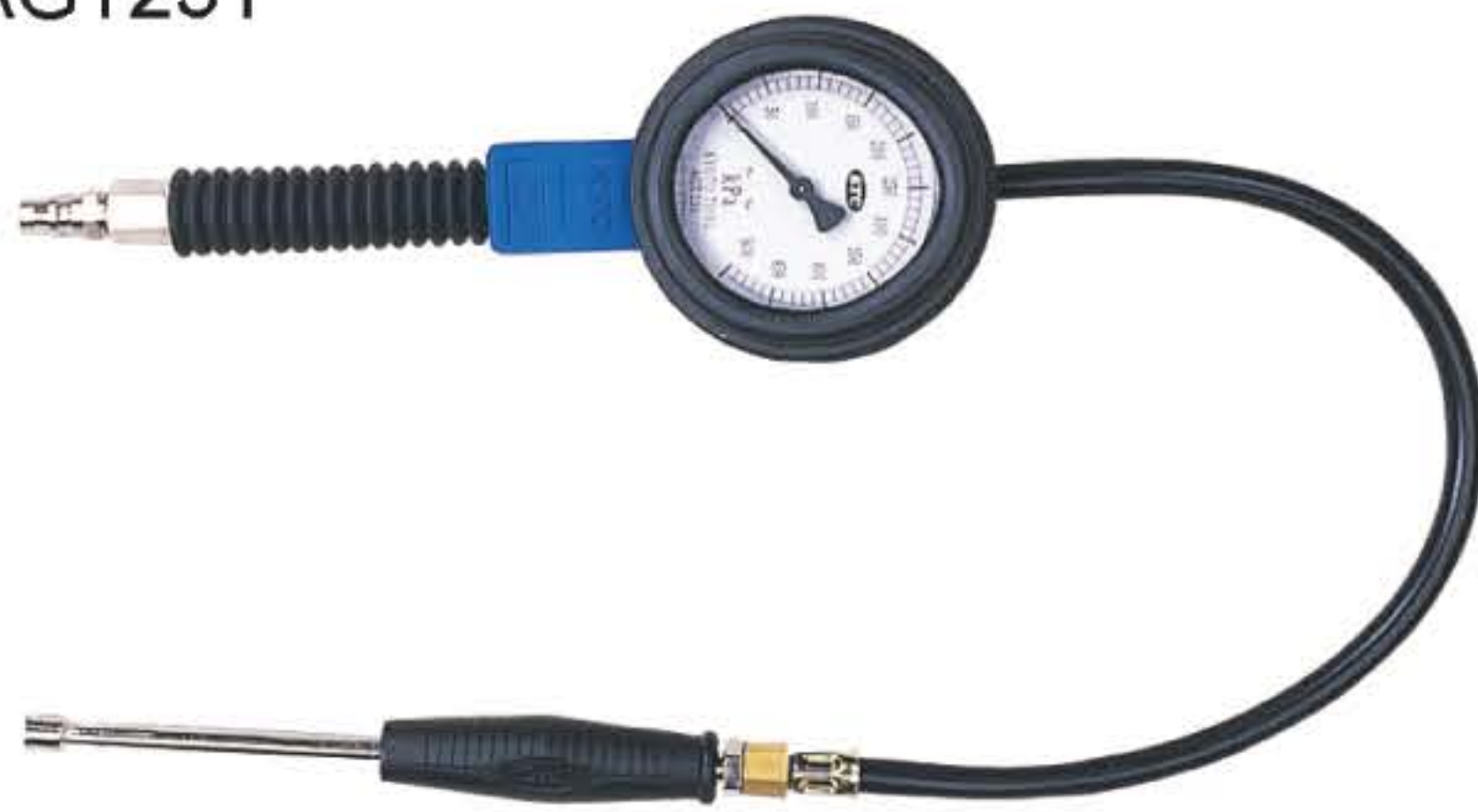
Stock No.	Item	Outer Ø (mm)
013-164-10	AS10	90-170

Spares

013-164-101	AS10-1 Body (Length 480 x Ø42mm)
013-164-102	AS10-2 Standard Arm (Ø90-170mm)
013-164-103	AS10-3 Large Arm (Ø135-220mm)

Made of heat treated alloy steel, for removing and installing coil spring of automotive suspensions. Used on wire Ø18mm or smaller, 2 times or more coiling cycle and 20mm or over coil span.

AGT231

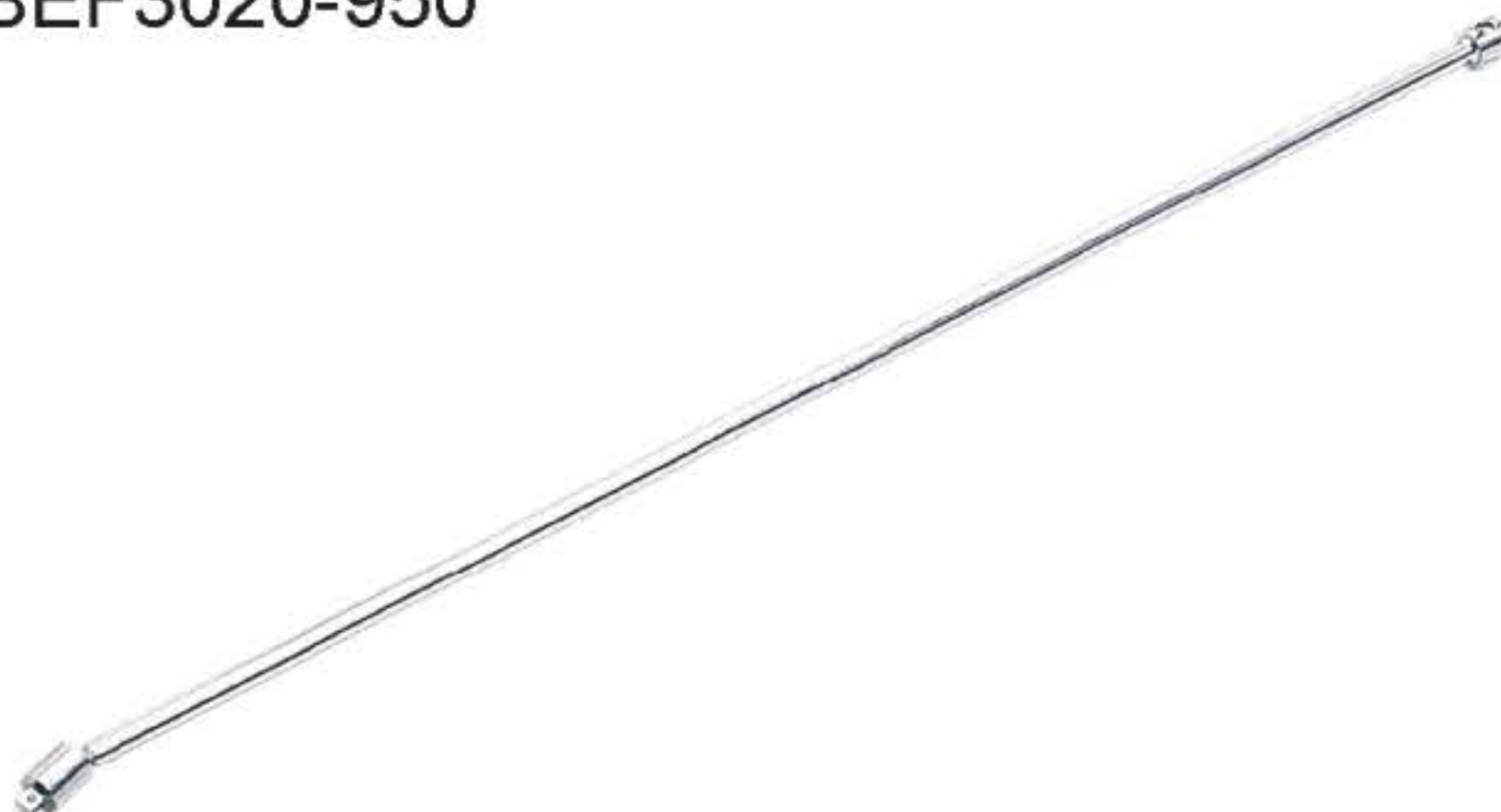


KTC TIRE AIR GAUGE - Japan

Stock No.	Item	Range (kPa)	Box
013-275-231	AGT231	0-500	1
013-275-232	AGT232	0-1200	1

Both have Ø70mm gauge. Lever is light and adjustable. Pressure can be measured, increased and decreased without connection to the air hose. AGT231 minimal scale: 10kPa (for passenger cars and vans). AGT232 minimal scale: 10kPa (for motorcycles, passenger cars, trucks and buses).

BEF3020-950

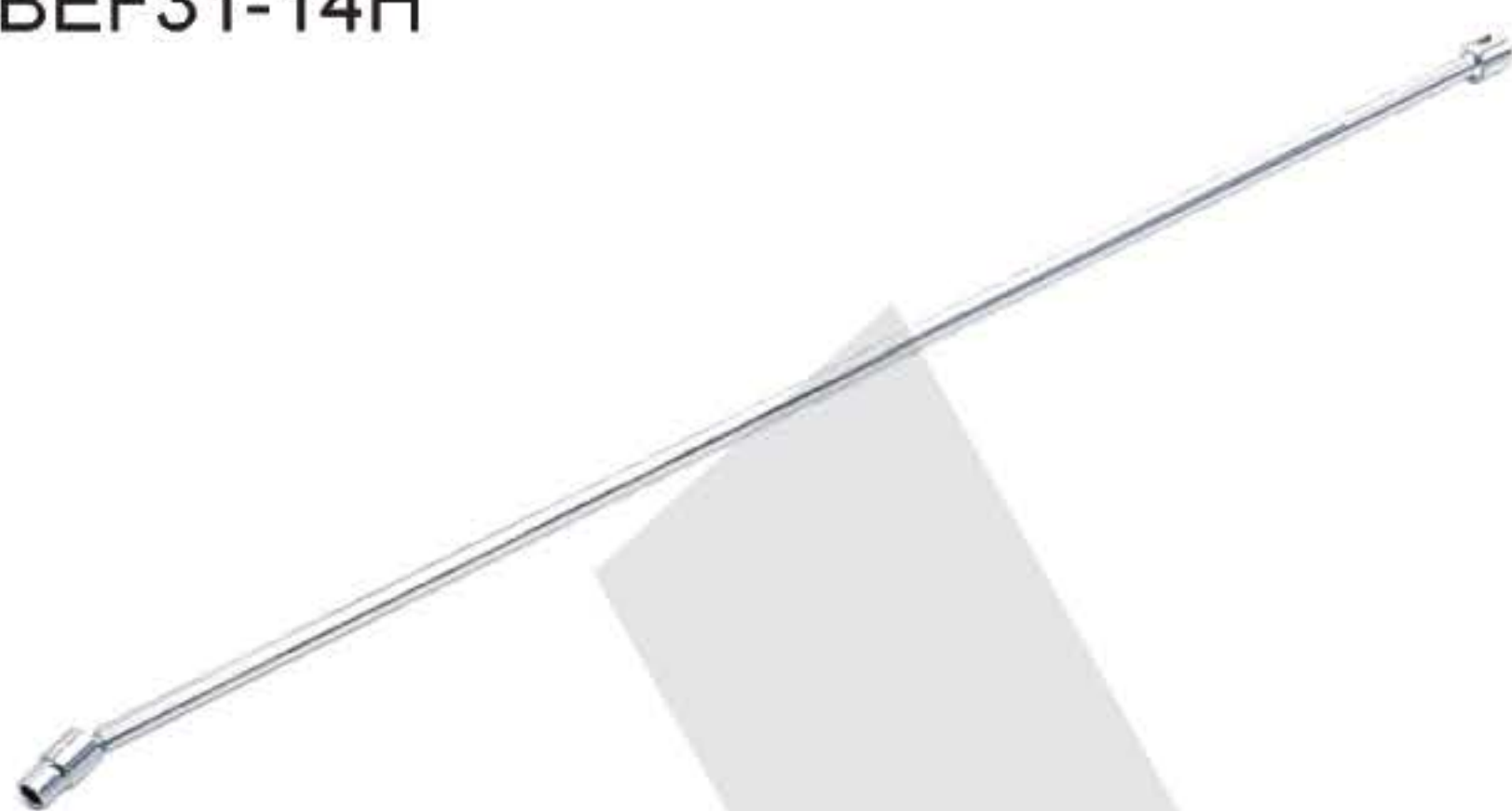


KTC FLEX EXTENSION WRENCH - Japan

Stock No.	Item	Sq Dr	O.L. (mm)	Box
013-280-3020	BEF3020-950	1/2"FX x 3/8"M	950	5

Made of Chrome Vanadium Steel, chrome plated. For removing/installing of clutch housing bolts, 3/8" sq. flex head turns within 40°.

BEF31-14H

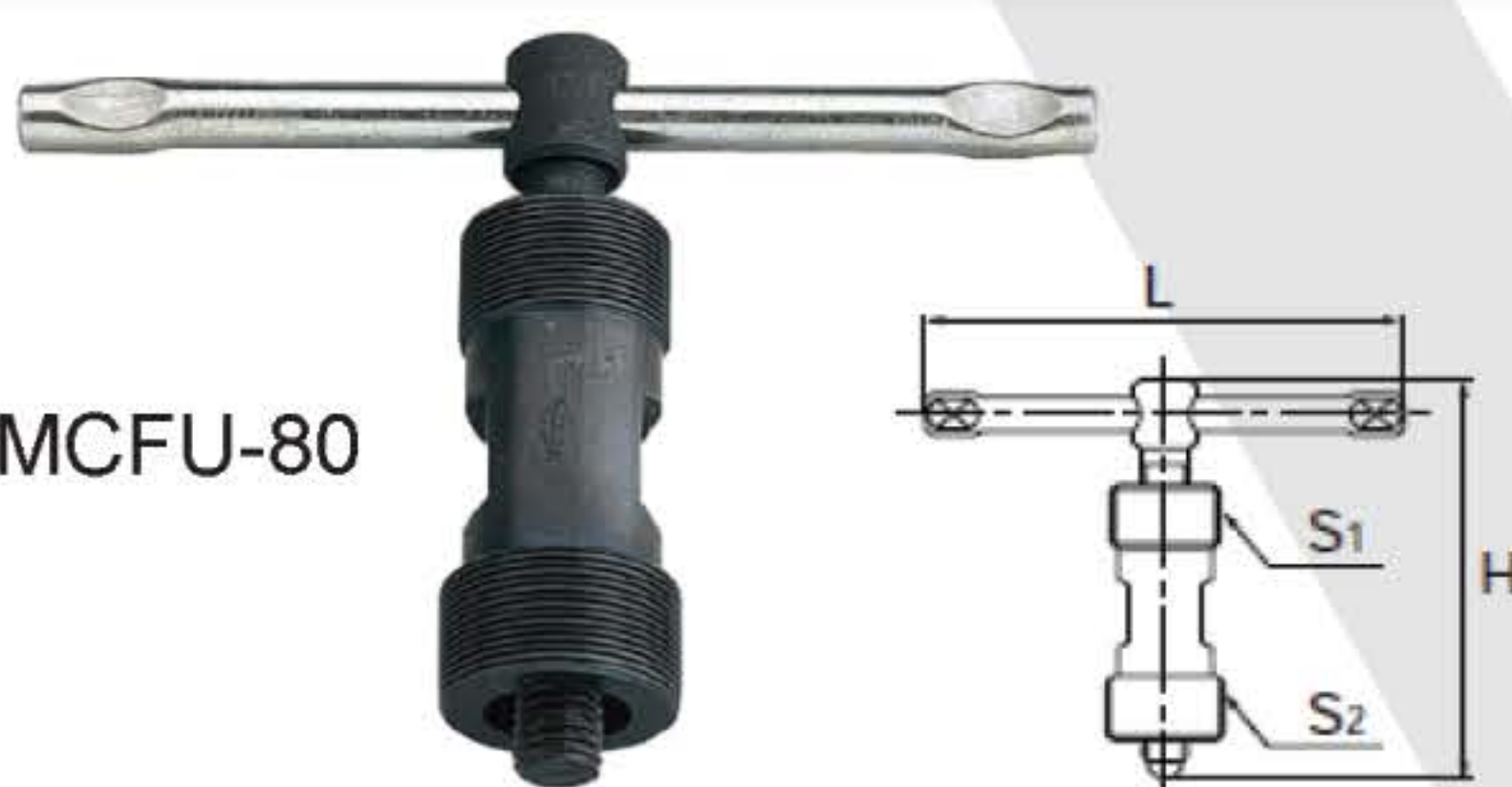


KTC FLEX WRENCH (WITH MAGNET) - Japan

Stock No.	Item	Size (mm)	Socket L (mm)	O.L. (mm)	Box
013-282-12	BEF31-12H	12	39	950	5
013-282-14	BEF31-14H	14	41	955	5
013-282-17	BEF31-17H	17	44	955	5

Made of Chrome Vanadium Steel, chrome plated. For disassembling/assembling transmissions and clutches, dismounting/mounting manifolds or diff-flanges. Also can be used as T shape wrench, turns within 40°.

MCFU-80



KTC MAGNETIC FLY-WHEEL PULLER - Japan

Stock No.	Item	S ₁ (mm)	S ₂ (mm)	H x L (mm)
013-298-80	MCFU-80	M24 x 1	M27 x 1	91 x 120

Made of alloy steel, heat-treated, chrome plated handle. Special tool for removing magnet fly-wheel of small motorcycles with single cylinder engine (50-125cc).

MVC-30



KTC TIRE VALVE WRENCH - Japan

Stock No.	Item	Tip (mm)	Size (mm)
013-300-30	MVC-30	2.2 x 4.5	L35 x W29

Heat-treated alloy steel blade, plastic handle. For repairing flat tires and changing tires/tubes of motorcycles.

MCCU14



KTC MOTORCYCLE DRIVE CHAIN TOOL SET - Japan

Stock No.	Item
013-302-14	MCCU14
Spare parts for CAU11, CAU13	
013-303-01	CAU-CA3 Cutter Pin A
013-303-02	CAU-CB3 Cutter Pin B

Metal case: L270 x W145 x H32mm. Weight: 2.2kg

AB-10

ABX10



KTC DISC BRAKE SPREADER - Japan

Stock No.	Item	Opening (mm)	Length (mm)	Box
013-248-10	AB-10	10-65	155	1
013-248-101	ABX10	10-75	155	5
013-248-12	ACB-12	10-87	184	5

Made of heat-treated alloy steel. For pushing in disc brake piston.

LAB-9



AB-9

KTC DUO-SERVO TYPE BRAKE SPRING TOOL - Japan

Stock No.	Item	For	Box
013-249-09	AB-9	Medium Cars	5
013-249-091	LAB-9	Large Vehicles	1

Made of heat-treated alloy steel. For dismounting/mounting brake shoe return springs using brake spring plier (ASP550).

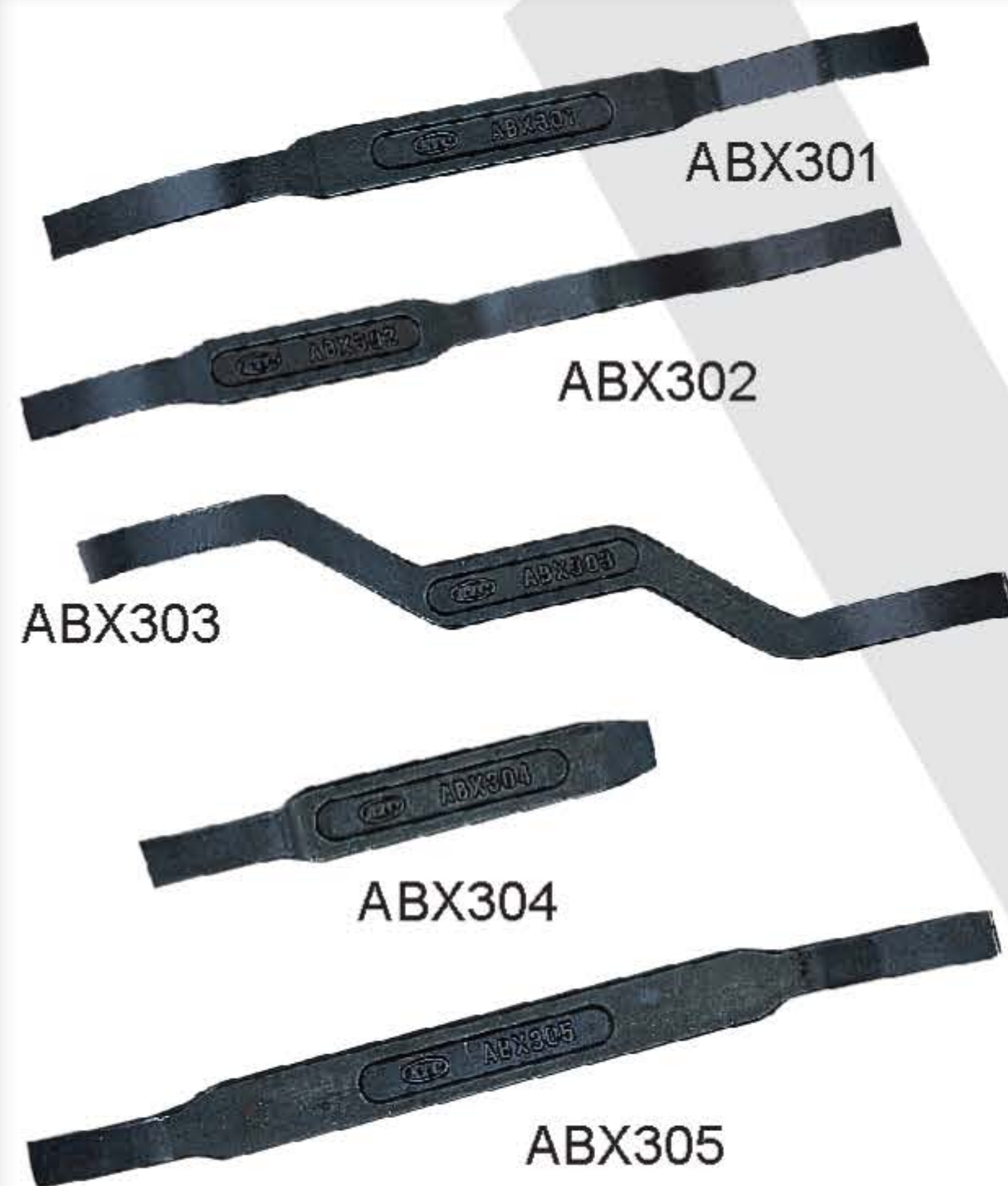
ASP-550



KTC BRAKE SPRING PLIER & CLAW - Japan

Stock No.	Item	Length (mm)	Box
013-250-550	ASP-550	550	1

Made of heat-treated alloy steel, chrome plated. For removing/setting of large sized vehicles (4-10 tons).



ABX301

ABX302

ABX303

ABX304

ABX305

KTC BRAKE SHOE ADJUSTER TOOL - Japan

Stock No.	Item	L (mm)	W ₁ (mm)	W ₂ (mm)	Box
013-251-301	ABX301	140	12	8	10
013-251-302	ABX302	140	12	8	10
013-251-303	ABX303	140	8	12	10
013-251-304	ABX304	80	12	8	10
013-251-305	ABX305	150	12	8	10
013-251-32	ATBX32	2 pcs set of ABX304, 305			
013-251-33	ATBX33	3 pcs set of ABX301, 302, 303			

Made of heat-treated alloy steel. Specialized tools for adjusting clearance between drum and brake shoe on drum brakes. ATBX33 is mainly for minicars and compact cars. ATBX32 is mainly for truck (2-4 ton). Diverse shapes enable shoe adjustment in inaccessible places and each tool has 2 types of curve for broader application.

ABX101



ABX102

ABX103

ABX104

KTC DISC PARKING TOOL - Japan

Stock No.	Item	L (mm)	W ₁ (mm)	W ₂ (mm)	Box
013-252-101	ABX101	110	H135	W28	10
013-252-102	ABX102	34	11	16	10
013-252-103	ABX103	30	11	16	10
013-252-104	ABX104	34	11	16	10
013-252-130	ATBX13	3 pcs set of ABX102, 103, 104			

Made of heat-treated alloy steel. ABX101 with plastic handle and chrome-plated blade. With 3 types of rotor, applicable to 6 types of brake piston. Small outer diameter allows installation through notch portion of the caliper. Precision-cast tool fits piston shape. Easy selection of applicable rotor reduced coming off of rotor nail.

AS404



KTC LOCK NUT CHISEL - Japan

Stock No.	Item	a (mm)	b (mm)	D (mm)	L (mm)	l (mm)	Wt (g)
013-254-404	AS404	0.4	4.5	50	173	51	350

Made of heat-treated forged strong alloy steel, rubber grip handle. For removal (attachment) of sealed type lock nuts on drive shafts.

ABX105



KTC BRAKE PISTON RESETTER - Japan

Stock No.	Item	L (mm)	H (mm)	Capacity (mm)	Wt (kg)	Box
013-255-105	ABX105	145-195	214	15-65	0.75	1

Made of heat-treated forged strong alloy steel. For disc brake pad replacement, and also pushing out brake caliper pistons (single piston type) during overhauls. Suitable from light weight vehicles to small trucks (2 ton class).

ATBX12



KTC DRUM BRAKE SERVICE TOOL SET (12pcs) - Japan

Stock No.	Item	Box
013-260-12	ATBX12	1

Contents:

- AB-7 Tension Spring Tool
- ABX-31 C-Washer Tool
- ABX-32 Parking Shoe Lever Tool
- ABX-33, 34 Shoe Holding Spring Tool
- ABX-35 Tension Spring Tool
- ABX301,302, 303 Brake Shoe Adjustment Tool
- HLD100-6 High grade L type standard hex shaft wrench 6mm
- ATBX14-1 Brake Drum Removal Tool (hex hole bolt M8 x 2pcs)
- Tray Size: 335 x 230 x 45mm
- Total Weight: 1.1 kg

Made of heat-treated alloy steel. To use for disassembly, attaching and adjustment of the brake drum of automobiles from light weight class vehicles to small trucks (up to 2 tons).

ATBX6



KTC DISC BRAKE SERVICE TOOL SET (6pcs) - Japan

Stock No.	Item	Box
013-261-06	ATBX6	1

Contents:

- ABX10 Disc Brake Piston Tool
- ABX102, 103, 104 Disc Parking Tool
- ABX101 Handle for Disc Parking Tool
- ABO-100 Seal Picking Tool
- Tray Size: 335 x 230 x 45mm
- Total Weight: 1.6 kg

Made of heat-treated alloy steel. To use for disassembly, attaching and adjustment of the disc brakes of automobiles from light weight class vehicles to small trucks (up to 2 tons).

ATP32



KTC COURTESY LAMP SWITCH STOPPER - Japan

Stock No.	Item	Box
013-267-32	ATP32	5

Holding the courtesy switch down while the vehicle door is open will turn off the room lamp and warning buzzer.



KTC ROLLING WEDGE BAR - Japan

Stock No.	Item	Length (mm)	Box/Ctn
014-021-450	LZI-450	Ø16 x 410	1

Made of hardened alloy steel, black finish.



KTC HANDY BAR - Japan

Stock No.	Item	Tip	O.L. (mm)	Box
014-022-600	LZ2-600	19mm	600	5

Made of hardened alloy steel, black finish.



KTC TIRE LEVER - Japan

Stock No.	Item	Tip	O.L. (mm)	Box
014-023-260	MCOL-260	23mm	265	5

Made of hardened alloy steel, chrome plated blade with plastic handle.

VL2-HD



KTC MAGNET HAND - Japan

Stock No.	Item	Length (mm)	Box
013-396-520	VL2-HD	520	20

Magnetized flexible pick up tool, plastic handle. Holding capacity 450g.

ABX70



KTC BRAKE BLEEDER - Japan

Stock No.	Item	Size (mm)
013-470-70	ABX70	L320 x W205 x H210

Spares

013-470-701	ABX70-A1 (Ø 18-31mm)
013-470-702	ABX70-A2 (Ø 32-45mm)
013-470-703	ABX70-B1 (Ø 46-60mm)
013-470-704	ABX70-B2 (Ø 61-76mm)
013-470-705	ABX70-D1 (For ABX70-B1, B2)
013-470-706	ABX70-E1 (For ABX70-B1, B2, H1)

Purpose: Replacing the brake fluid and supplying of brake oil during air-removing.

Application: Applicable to reserve tank (inner Ø of inlet 18-76mm) for mini cars to small trucks (2t)

Special features:

- 1) Continuous feeling (pressured) shortens work time.
- 2) Compact design: simple, low cost, high performance.
- 3) Easy to operate for air-driven method.
- 4) One touch on the button enables air removing of the tank.
- 5) Plate rubber adopted for attachment by one action.
- 6) Expansion rubber with inner pressure
- 7) Special attachment enables quick installation. .

Hose Length: 3.5m. Tank Capacity: 2 litres. Input Air Pressure: 5-10kgf/cm².

Applied Air Pressure: 1.5-2.5kgf/cm².

ADV2



KTC BATTERY CATCHER - Japan

Stock No.	Item	L (mm)	W (mm)	H (mm)
013-412-02	ADV2	193	33	215

Made of heat-treated alloy steel with rubber cushion grip handle.
For light weight vehicles to passenger and one box car batteries. Battery width 120-180mm, less than 22kg in mass.

ATBX04



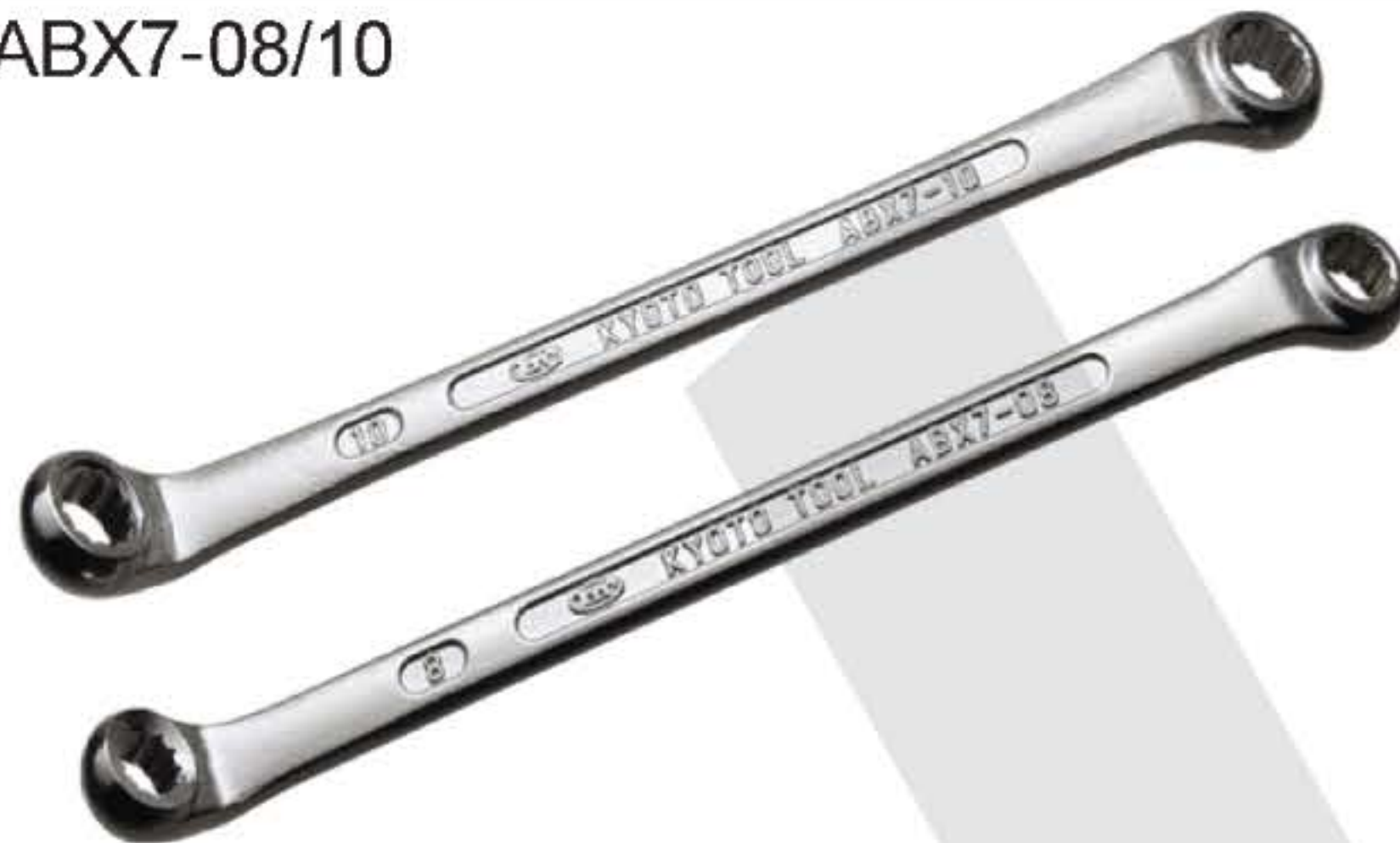
KTC BRAKE BLEEDER SET - Japan

Stock No.	Item	Weight (gm)	Box
013-460-04	ATBX04	320	1

Contents:
Bleeder Plug Wrench Size 8,10mm.
Fluid Catch Tank (Capacity: 1L), Fluid inhalator (50cc)

For replacing brake oil and bleeding air in the pipe for light cars to small trucks (2 tons).

ABX7-08/10



KTC BLEEDER PLUG WRENCH - Japan

Stock No.	Item	Size (mm)	Weight (gm)	Box
013-462-08	ABX7-08	8	60	1
013-462-10	ABX7-10	10	60	1

For fastening/loosening of bleeder plugs. Optimal rising angle enhances operability.



KTC GREASE EXCHANGER "HIGHLOAD" - Japan

Stock No.	Item	Container	Bearing Ø (mm)	Wt (kg)	Box
013-465-18	GZR18	16kg round cans	15-100	19	1

Includes upper cone, lower cone, handle, rotation stopper handle and guide shaft.
Suitable for exchanging grease used in heavy-load bearings of large sized vehicle. For exchanging grease in hub bearings during inspection and servicing of vehicles for general use.



KTC SERVICE CREEPER - Japan

Stock No.	Item	L x W (mm)	Weight (kg)	Box
013-480-10	AYSC-10F	1030 x 440	6.5	1

High density cushion. Swivel castors for good maneuverability.



KTC FENDER COVER - Japan

Stock No.	Item	Size (mm)	Box
013-484-02	AYC-2	W400 x L1100	1

Made of special rubber material. Heat and corrosion resistant. Built in magnets for easy attaching.



KTC PANTOGRAPH JACK - Japan

Stock No.	Item	Load	Height		I (mm)	L (mm)	W ₁ (mm)	W ₂ (mm)
			Min	Max				
014-050-08	PJ-08	800	105	380	140	410	45	100

Trapezoidal thread made by roll forming applied in the screw part for precision and durability. Comes with handle, movable head.



KTC MAGNETIC PARTS TRAY - Japan

Stock No.	Item	Size (mm)	Thickness (mm)
014-060-430	YKPT-RM	Ø150 x 41	0.5

Made of stainless steel for strong rust resistance. Rubber mounted magnet holds in 1,000 gauss magnetizing power

KTC GREASE GUN - Japan



Stock No.	Item	With Nozzle	Capacity (cc)	Per Stroke (cc)	Max Pressure (kg/cm ²)	Tube Ø	Length (mm)	Box
014-042-080	G80	G-120NS	80	0.75	25	32	214	10
014-042-100	G100	G-190NC	100	0.75	25	38	238	10
014-042-200	G200	G-190NC	200	1.27	25	48	330	10
014-042-300	G300	G-190NC	300	1.23	25	48	320	10
014-042-500	G500	G-190NC	500	1.00	25	62	340	10

With Grease

014-043-400	CG400	G-250NS	400	1.45	25	56	360	10
--------------------	-------	---------	-----	------	----	----	-----	----

KTC SPARE NOZZLE FOR GREASE GUN - Japan



Stock No.	Item	Type	Length (mm)	Box
014-044-120	G-120NS	Straight	120	1
014-044-180	G-180NS	Straight	180	1
014-044-250	G-250NS	Straight	250	1
014-044-450	G-450NS	Straight	450	1
014-044-190	G-190NC	Chuck	163	1
014-044-300	G-330NH	Hydro-Hose	337	10

KTC AIR BLOW GUN - Japan



Stock No.	Item	Nozzle Length (mm)	Length (mm)
014-049-090	YKAG-090	90	245
014-049-330	YKAG-330	320	485
014-049-490	YKAG-490	490	645

Accessories

014-049-01	YKAG-01 Chip Shield Ø100mm
014-049-02	YKAG-02 Rubber Chip 50mm
014-049-03	YKAG-03 Silencer 55mm
014-049-04	YKAG-04 Ventury 55mm
014-049-05	YKAG-05 Air Curtain 35mm
014-049-06	YKAG-06 Extension 385mm
014-049-07	YKAG-07 By-pass 30mm

Plastic light body made of poliacetar material, guns Ø6mm, to be used in 40°C-60°C environment.



Made of heat-treated alloy steel.

KTC THICKNESS GAUGE - Japan

Stock No.	Item	Blades	Length (mm)	Box
016-491-98	TG98	9	90 x 13	10
016-491-981	TGB98	9	90 x 13	10

TG98 (metric) - .04, .05, .06, .07, .08, .1, .15, .2, .3
TGB98 (inch) - .0015, .002, .003, .004, .006, .008, .010, .012, .015

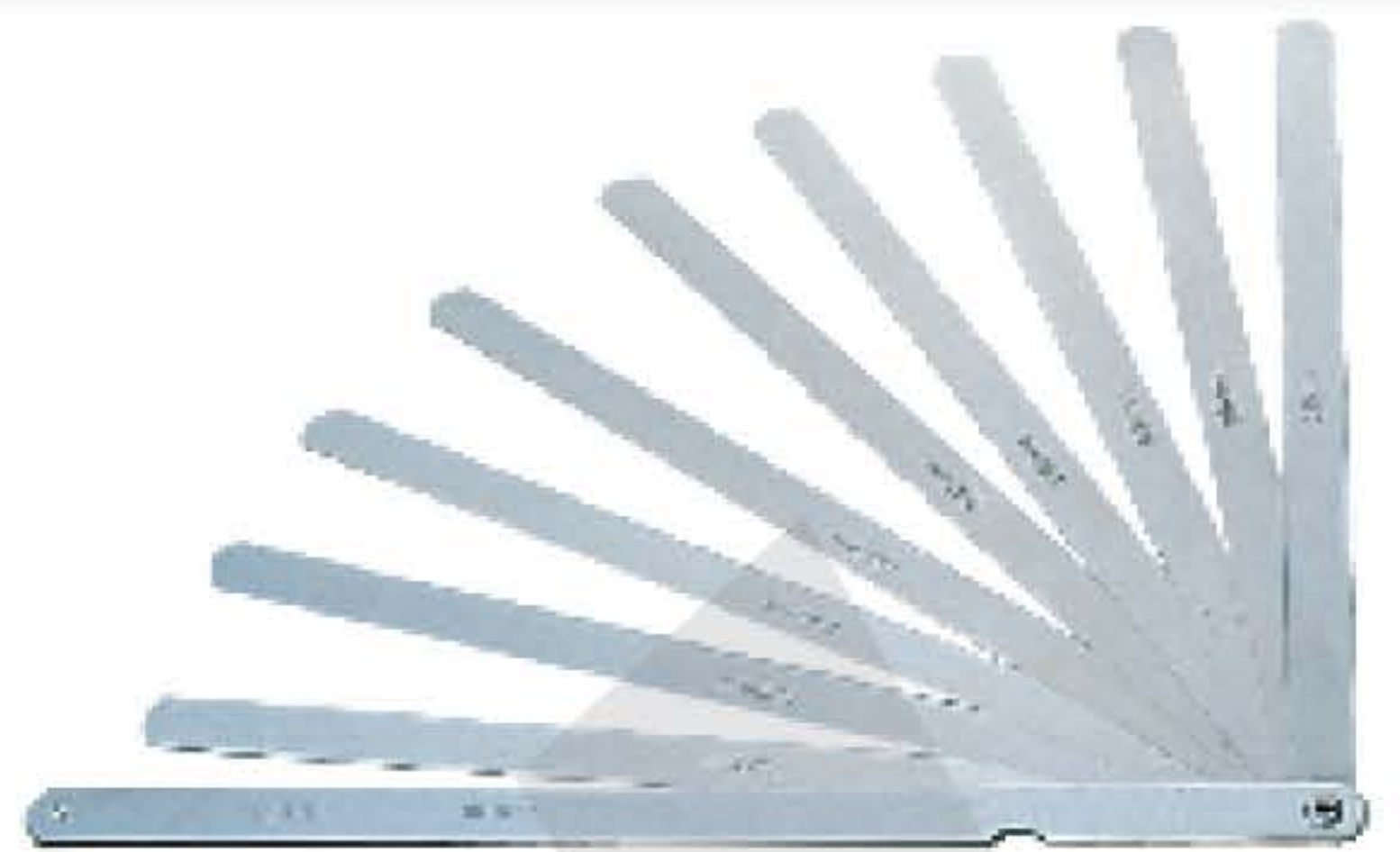


Made of heat-treated alloy steel.

KTC THICKNESS GAUGE - Japan

Stock No.	Item	Blades	Length (mm)	Box
016-492-1818	TGZ1818	17	120 x 50	10

Sizes:
11pcs - .15, .18, .20, .25, .28, .30, .33, .35, .36, .38, .40
6pcs - .45, .50, .80, .90, 1.10, 1.30



Made of heat-treated alloy steel.

KTC THICKNESS GAUGE - Japan

Stock No.	Item	Blades	Length (mm)	Box
016-494-923	TG923	9	230 x 13	10
016-494-9231	TGB923	9	230 x 13	10

TG923 (metric) - .04, .05, .06, .07, .08, .1, .15, .2, .3
TGB923 (inch) - .0015, .002, .003, .004, .006, .008, .010, .012, .015